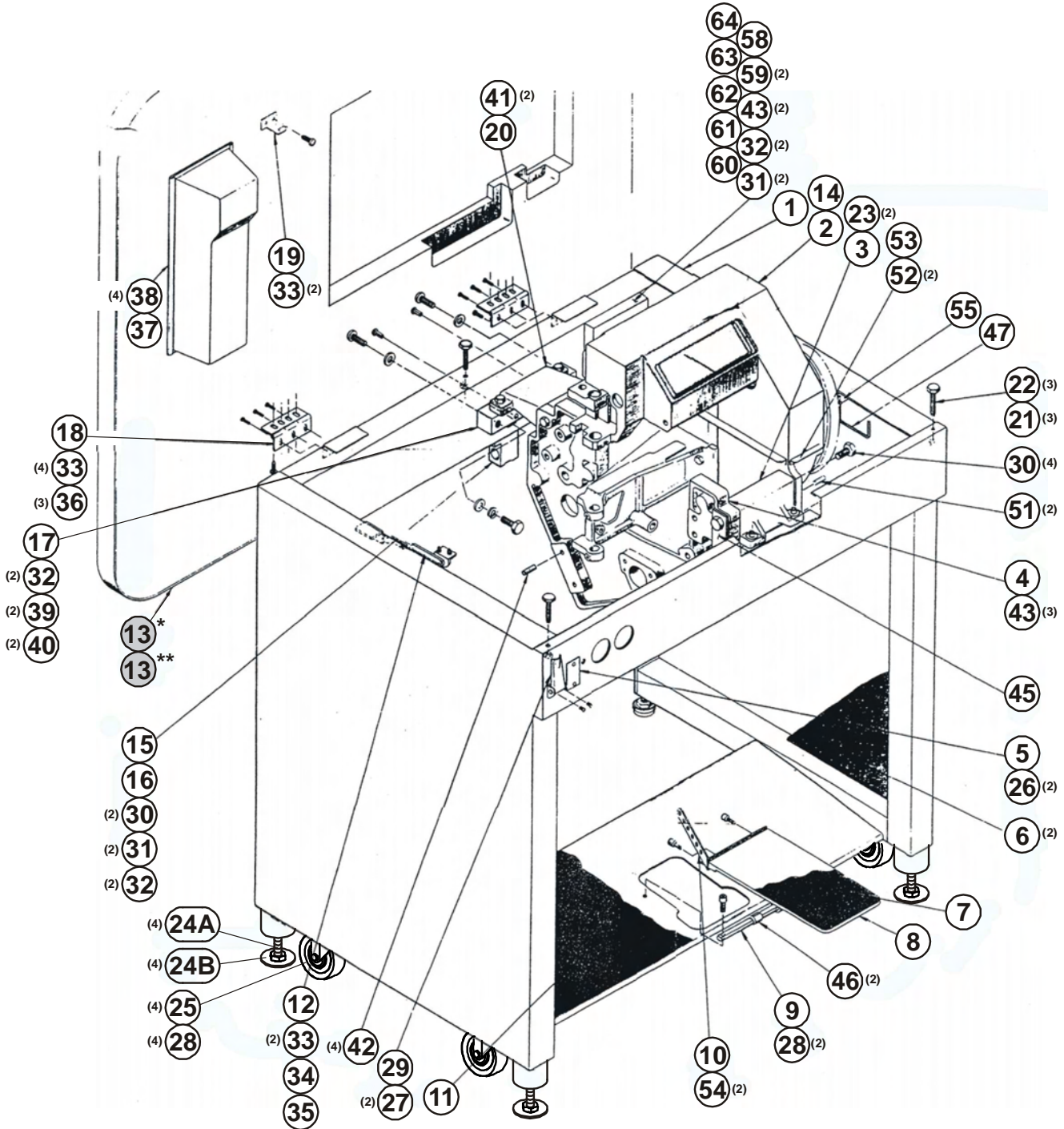


TABLE OF CONTENTS

Main Frame Assembly	3-2
Cam and Gears	3-6
Upper Needle Bar Mechanism	3-8
Presser Foot Mechanism	3-10
Lower Needle Bar Mechanism	3-14
Lower Looper and Thread Drum Mechanism	3-16
Main Cam Shaft Assembly	3-20
Thread Gripper & Elevator Mechanism	3-22
Pick Stitch & Tension Finger	3-24
Tension Finger Assembly	3-28
Material Feed	3-30
Angle Stitch Mechanism	3-34
Upper Looper	3-36
Work Plate Assembly	3-40
Presser Foot & Swivel Toe Assembly	3-42
Presser Foot	3-44
ELECTRICAL - I	3-46
ELECTRICAL - II	3-48
ELECTRICAL - III	3-50
Accessories	3-52
Thread Trim	3-54
Foot Pedal	3-56
Condensed Stitch Kit	3-58
ELECTRICAL diagram	3-60
Material Gauge	3-62

MAIN FRAME ASSEMBLY



Released 06/2010

e-mail: service@amfreece.cz; parts@amfreece.cz; website: www.amfreece.com

Phone: +420 582 309 286; Fax: +420 582 360 606

MAIN FRAME ASSEMBLY

DET	PART NUMBER	DESCRIPTION	QTY
01	70.3532.8.074	Main Frame	1
02	41321019	Needle Bar Hd. Assembly	1
03	35371003	Front Spacer	1
04	35315013	Tie Frame	1
05	37711017	Name Plate	1
06	32711019	Sound Suppressor ● ● ●	2
07			
08			
09			
10			
11	32216086	Foot Plate Tread ● ● ●	1
12	41441060	Table Support	1
13*	70.3535.1.181	Table Top ● ● ●	1*
13**	35351180	Table Top ● ● ●	1**
15			
16	70.3325.1.107	Motor Holder	1
17			
18	41214006	Hinge	2
19	70.3535.1.182	Hook	1
20	35472011	Spacer, Rear, Tie Frame	1
21	01200024	Screw #3/8 - 16x1	3
22	06020015	Nut, Hex.Jam # 3/8 -16	3
23	01000047	Scr., Hex. Soc. Hd. Cap # 5/16 - 18 x1	2
24A	12.0008.6.523	Screw M12	4
24B	12.0008.6.521	Leveling Pad	4
25	12.0008.6.520	Castor Wheels	4
26		Rivet	2
27		Scr., Rd.Hd. Mach. # 6 - 32 x 1/4	2
28	08.6000.0.025	Screw	4
29	22972010	Latch 'Camloc' # 51 L1-1- 1 AB -	1
30	04200003	Scr. Hex.Hd. # 3/8 - 16 x 1	6
31	07100009	Washer, Spring Lock # 3/8	4
32	07012003	Washer, Flat # 3/8	6
33	02060018	Scr. Pan Hd. (Type A) # 10 x 5/8	12
34	22911038	Scr., Asa Lock #1 A	1
35		Nut, Lock "ESNA"#21 NTE- 058-	1
36	04140040	Scr., Truss Hd. # 10 - 32 x 5/16	6
37	27571120	Drawer,Stl."Superior" # 333 Grey ● ● ●	1
38		Scr.. Fl.Hd. Wood # 8 x 3/4-	4
39	01200024	Scr. Hex .Soc .But.Hd.# 3/8 - 16 x 1	2
40	08200024	Spring Pin 1/4" x 1	2
41	04200027	Scr., Hex.Hd. # 5/16 - 18 x 1	2
42	08000019	Pin, Dowel # 1/4 x 1 1/4	4
43	04200004	Scr.Hex. Hd. # 3/8 - 16 x 1 1/2	5
44			
45	34416044	Bracket, Switch Mount	1
46			
47			
48			

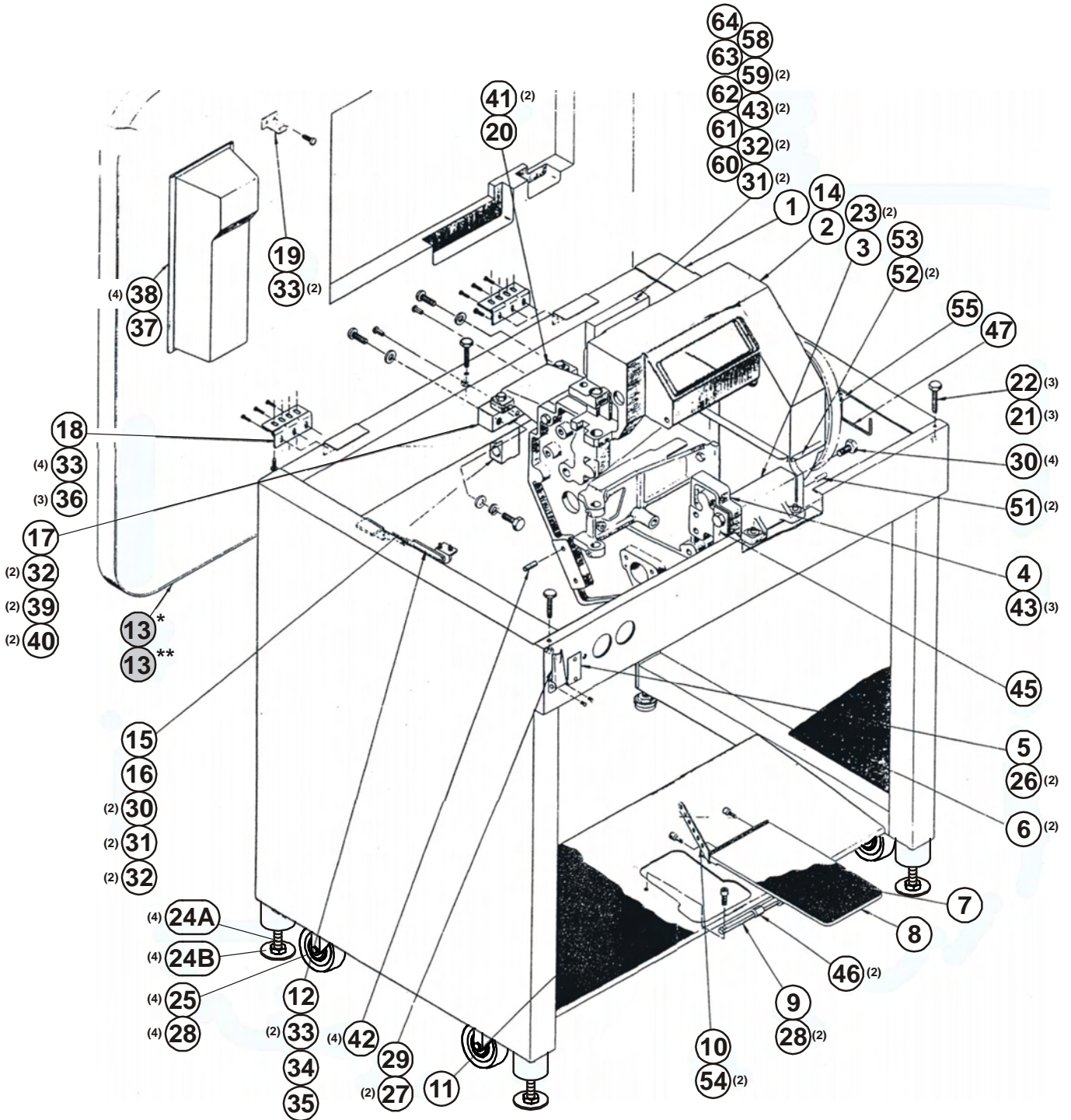
* — Modificatioin Standard
** — Modificatioin Pick Stitch

Released 06/2010

e-mail: service@amfreece.cz; parts@amfreece.cz; website: www.amfreece.com

Phone: +420 582 309 246; Fax: +420 582 360 606

MAIN FRAME ASSEMBLY





Released 06/2010

e-mail: service@amfreece.cz; parts@amfreece.cz; website: www.amfreece.com

Phone: +420 582 309 286; Fax: +420 582 360 606

MAIN FRAME ASSEMBLY

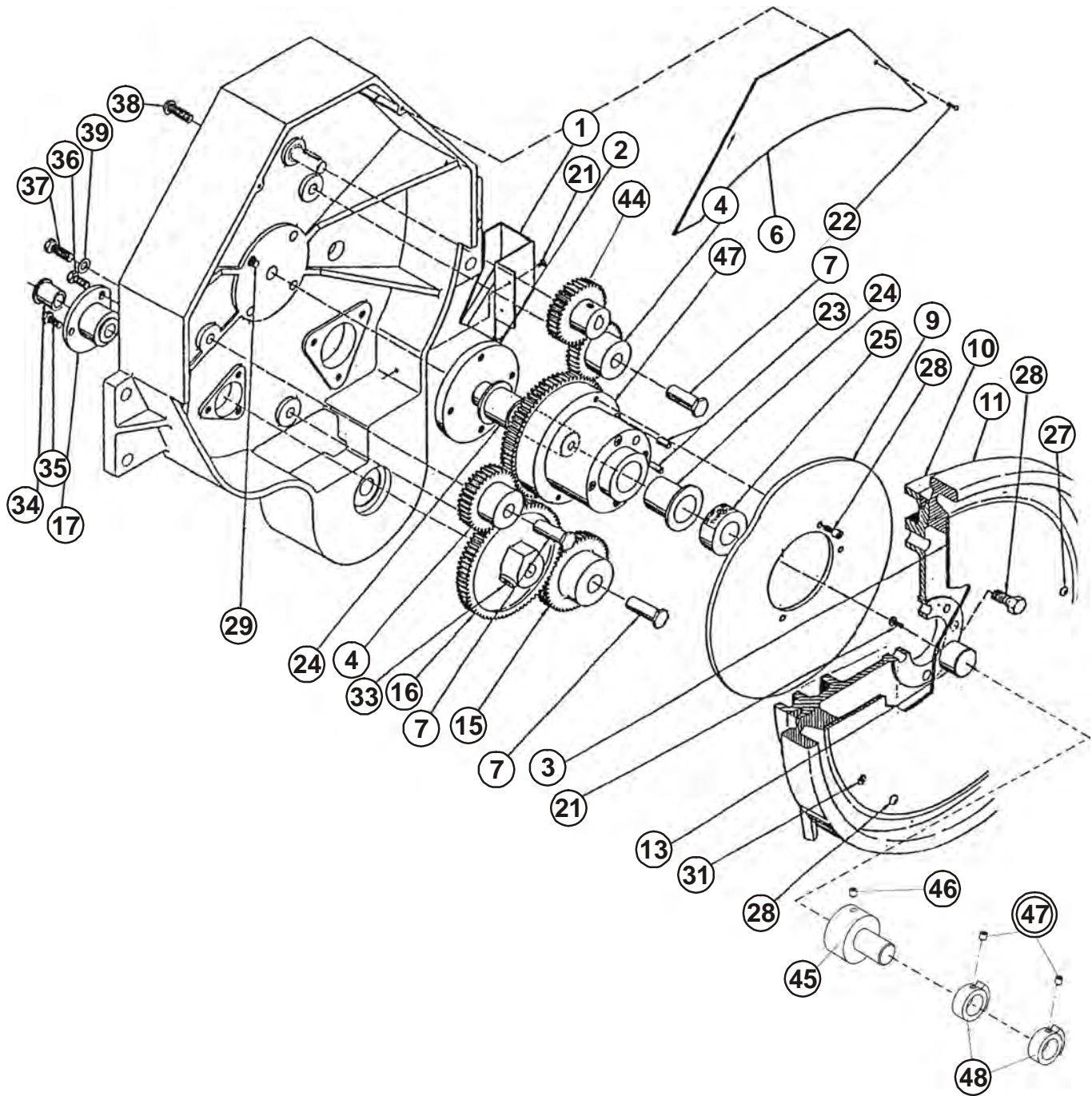
DET	PART NUMBER	DESCRIPTION	QTY
51		Pin , Dowel # 5/16 x 3/4	4
52	04100052	Scr. Bind. Hd.# 8 - 32 x 1/4	2
53	34268125	Angle, Filler	1
54			
55			
56			
57			
58	70.3162.5.003	Pulley assembly	1
59	06000014	Nut. Hex.# 3/8 -16	2
60	23522009	Counter Shaft Bearing	1
61	34125140	Box Cover	1
62			
63	24323130	"V" Belt 	1
64	24423030	Pulley, "V" Belt 	1
65	35523026	Counter Shaft Bracket	1
66	70.3100.0.042	Facia Plate	1
67	70.3265.2.016	Cover	1
68			
69	12.0008.6.517	Caster	4
70	70.3165.2.002	Sensor Holder	1
71			
72	24473075	Pulley	1
73	24383030	Belt 285L075	1
74	12.8000.1.010	Label (DECO)	1
75	12.1016.0.001	Nail 2,6x6	2
76	70.3577.7.043	Cover Rear	1
77	70.3577.7.044	Cover Pulley	1
78			
79	08.6000.4.008	Screw	4
90	31852010	Alex Light Holder	1
100			
101	31000030	Hook Facia Plate	1
102	31000031	Lock Facia Plate	1

Released 06/2010

e-mail: service@amfreece.cz; parts@amfreece.cz; website: www.amfreece.com

Phone: +420 582 309 246; Fax: +420 582 360 606

CAM AND GEARS



CAM AND GEARS

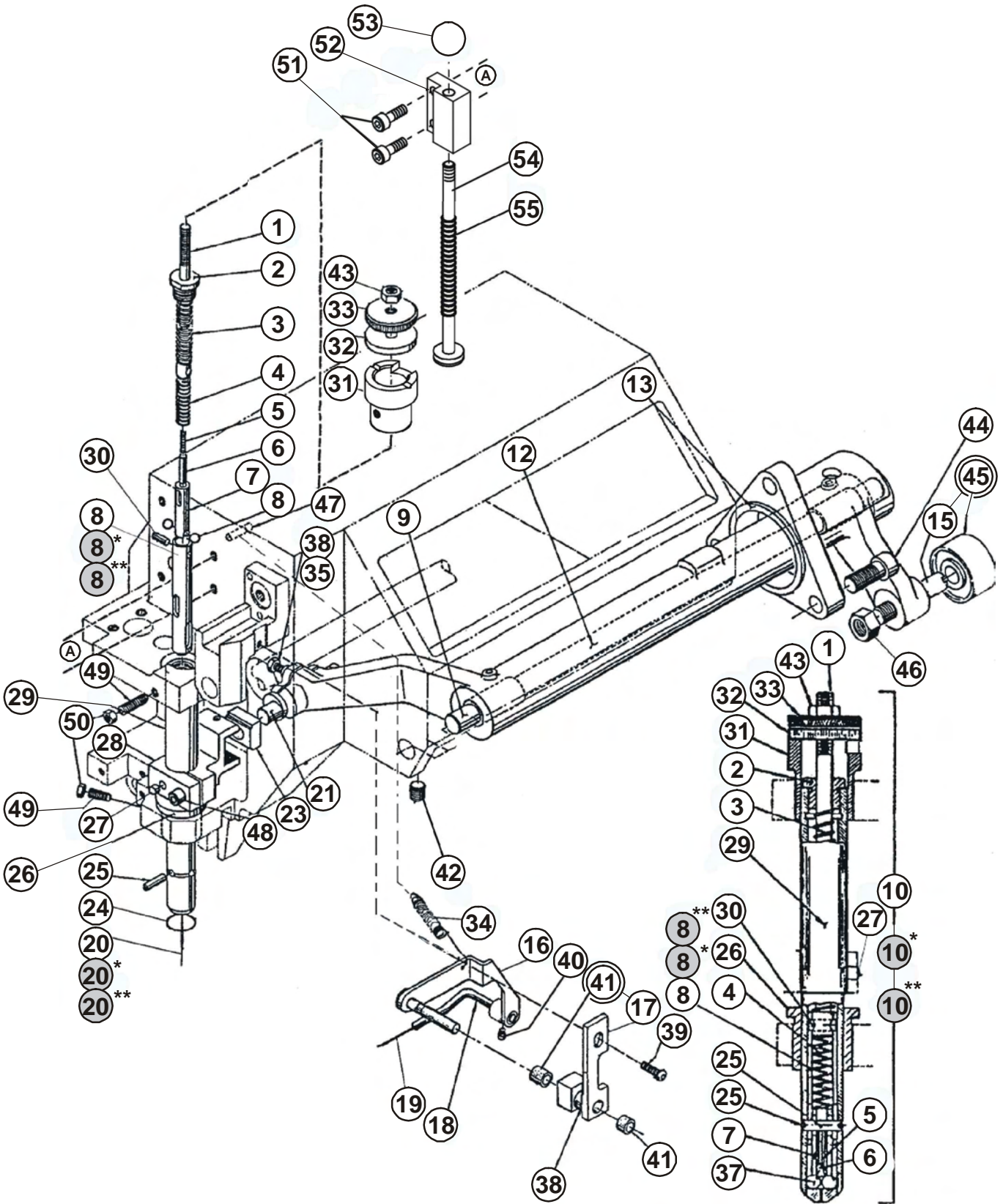
DET	PART NUMBER	DESCRIPTION	QTY
01	35812049	Cover, Rear Drum	1
02	31766009	Drive Gear Stud	1
03	31523037	Cover, Handwheel	1
04	36224010	Small Intermediate Gear ● ● ●	2
05	36228020	Drive Gear	1
06	32652015	Guard, Belt	1
07	31838030	Gear Stud	3
08			
09	70.3651.3.048	Left Upper Looper Cam	1
10	36516040	Needle Bar Cam	1
11	36713007	Needle Bar Hand Wheel ● ● ●	1
12			
13	31652001	Sensor Drive Shaft	1
14			
15	36226017	Large Intermediate Gear ● ● ●	1
16	36228009	Cam Shaft Drive Gear	1
17	36515032	Cam Shaft Bearing	1
18			
19			
20			
21	04100054	Scr. Binding # Hd. 8- 32 x 3/8	2
22	01200005	Scr. , Hex. Soc. But. Hd.# 8 - 32 x 3/8	2
23	08200031	Pin, Roll # 3/16 x 3/8	1
24	23161140	Bearing, "Oilite" # FF - 1213-4 ● ●	2
25	24116150	Collar, Set SC 100 1" I.D	1
26	04200057	Scr. Hex. Soc. Cap # 10 - 32 x 1/2	1
27	04200003	Scr., Hex. Hd. # 3/ 8 - 16 x 1	4
28	01200001	Scr. Hex. Soc. But. Hd. # 140- 32 x 1/2	2
29	01000099	Scr. Hex. Soc. Cap # 5/16 - 18 x 5/8	1
30			
31	01002040	Scr. Hex. Soc. Cap # 5/16 - 18 x 3/4	1
32			
33	03200023	Scr. Hex. Soc. Hd. Cup PT.# 1/4 - 20 x 1/2	1
34	23161063	Bushing, "Oilite" # FF - 707 - 2 ● ●	1
35	04200013	Scr., Hex. Hd. # 1/4 - 20 x 5/8	1
36	04200012	Scr., Hex. Hd. # 1/4 - 20 x 1/2	1
37	04200267	Scr., Hex. Hd. # 3/8 - 24 x 1	1
38	01200083	Scr., But. Hex. Soc. # 3/8 - 24 x 1	1
39	07100009	Washer, Lock # 3/8	1
40	70.3165.2.002	Sensor Holder	1
41	19.0044.1.624	Ring Sensor	2
42	17.0011.2.013	Screw M6x0, 75 x 6	2
43	08.6400.4.008	Screw M4 - 8	1
44	36224009	Gear	1
45	70.3165.2.003	Adaptor	1
46	08.6400.4.006	Screw M4x6	1
47	17.0011.2.013	Screw	(2)
48	19.0044.1.629	Ring Sensor	2

Released 06/2010

e-mail: service@amfreece.cz; parts@amfreece.cz; website: www.amfreece.com

Phone: +420 582 309 246; Fax: +420 582 360 606

UPPER NEEDLE BAR MECHANISM



Released 06/2010

e-mail: service@amfreece.cz; parts@amfreece.cz; website: www.amfreece.com

Phone: +420 582 309 286; Fax: +420 582 360 606

UPPER NEEDLE BAR MECHANISM

DET	PART NUMBER	DESCRIPTION	QTY
01	31674025	Sleeve Extension	1
02	31695011	Needle bar Spring Cap	1
03	36532021	Needle Bar Spring	1
04	36532022	Needle Lock Spring	1
05	36531010	Needle Stop Spring	1
06	36771021	Needle Stop	1
07	31566008	Needle Clamp Sleeve	1
08	35511021	Needle Support Sleeve	1
08*	35511081	Needle Support Sleeve	1*
08**	35511048	Needle Support Sleeve	1**
09	31723007	Rocker Arm Pivot	1
10	42531081	Needle Bar Assembly	1
10*	70.4253.1.078	Needle Bar Assembly	1*
10**	70.4253.1.079	Needle Bar Assembly	1**
12	36691014	Needle Bar Rocker Arm	1
13	35521048	Rocker Arm Bearing	1
15	31773015	Rocker Arm Bearing Stud	1
16	36631031	Assembly- Threader Lever	1
17	33215069	Threader Bearing	1
18	31996006	Threader Arm	1
19	37213001	Threader Needle	1
20	00103238	Round Needle - size 38	1
20*	00103228	Round Needle - size 28	1*
20**	00103249	Round Needle - size 49	1**
21	36518030	Bearing Block Stud	1
23	33182005	Needle Bar Bearing Block	1
24	35131002	Pin Retainer	1
25	31264001	Stop Pin	1
26	36523022	Needle Bar Small Bush	1
27	31151001	(Locating Pin) = part of Assembly 33441003	1
28	33441003	Needle Bar Clamp Upper	1
29	31697003	Needle Bar	1
30	31111009	Sleeve Ext. Conn. Pin	1
31	70.3652.3.023	Large Bushing	1
32	31412001	Spring Plunger Washer	1
33	31593007	Sleeve Adjust.Nut	1
34	36546023	Spring , Threader	1
35	04200011	Scr.,Mach. Hex. Hd #10 - 32 x 5/8	1
36	07106002	Washer. Lock. Hi - Collar # 10	1
37	22965006	Ball. Stl." New Depart"# 11{64 Dia	2
38	24116020	Collar	1
39	01200007	Scr. Hex. Soc. But. Hd.# 10 - 32 x 3/8	1
40	01000298	Scr. Hex. Soc. Hd. Cap.# 5 - 40 x 1/8	1
41	23132030	Bushing Oilite #AA 309	(2)
42	03100008	Scr. Set Hex. Soc. Cap Pt.# 1/4 - 20 x 1/4	1
43	06002001	Nut. Hex. S. Stl. # 10 - 32	1
44	01000039	Scr. Hex. Soc. Hd. Cap # 5/16 - 18 x 3/4	3
45	23231030	Bearing , Ball	(1)
46	06104001	Locknut, " ESNA" 29 NTE- 54-	1
47	31721039	Pin Groove "Drive Loc"#1/4 x 1 (Type G)	1
48	01000013	Scr. Hex.Soc.Hd.Cap# 8 - 32 x 1/2	1
49	03130001	Scr., Hex. Soc. Cone Pt.. # 8 - 32 x 1/2	2
50	06020019	Nut. Jam Hex. # 8 - 32	2
51	08.6000.4.012	Screw	2
52	70.3652.3.026	Block	1
53	12.0008.6.979	Ball	1
54	70.3652.3.025	Bar	1
55	12.3010.0.014	Spring	1

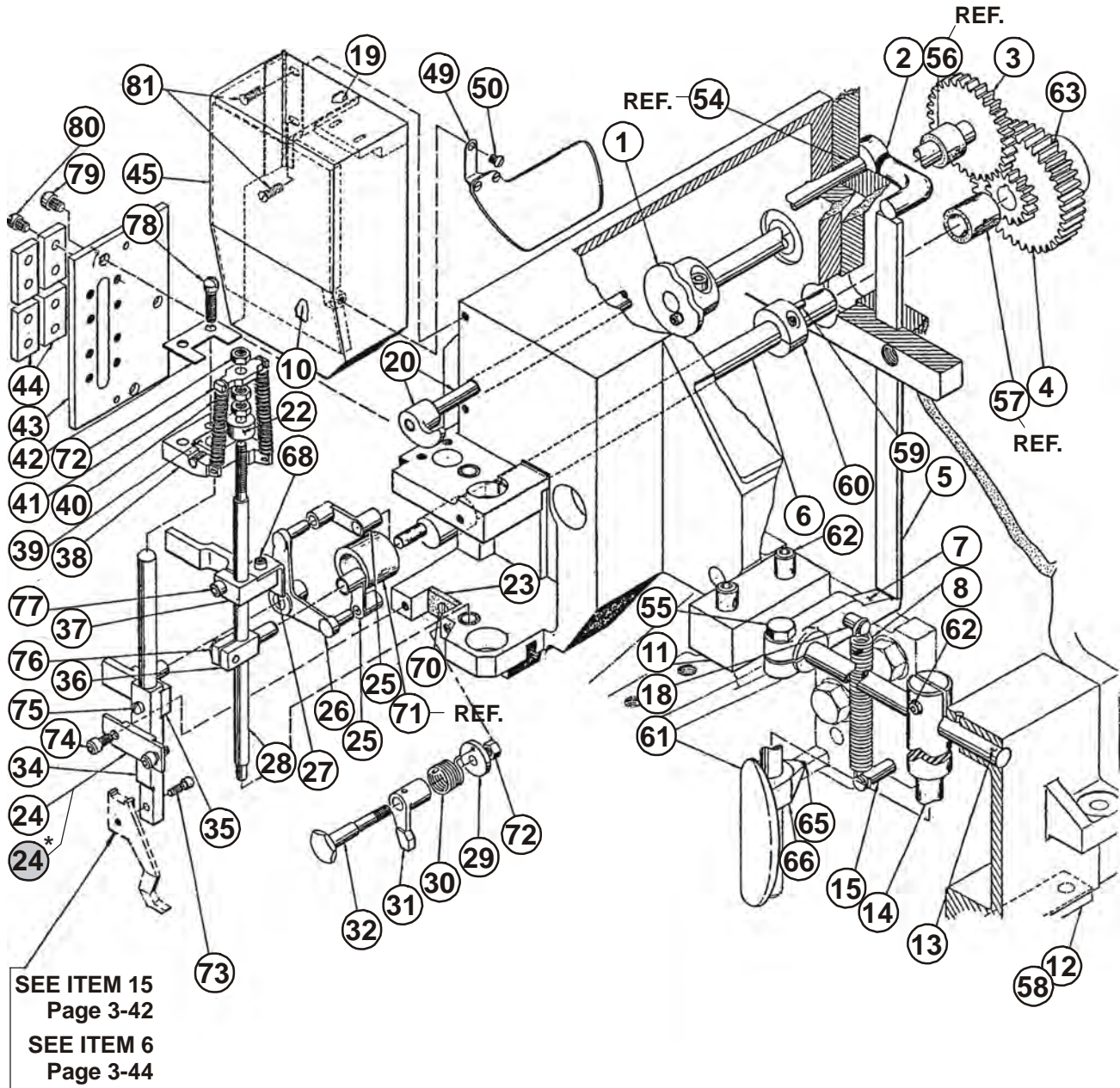
* — Extra Parts Needle size 28
 ** — Extra Parts Needle size 49

Released 06/2010


e-mail: service@amfreece.cz; parts@amfreece.cz; website: www.amfreece.com

Phone: +420 582 309 246; Fax: +420 582 360 606

PRESSER FOOT MECHANISM



PRESSER FOOT MECHANISM

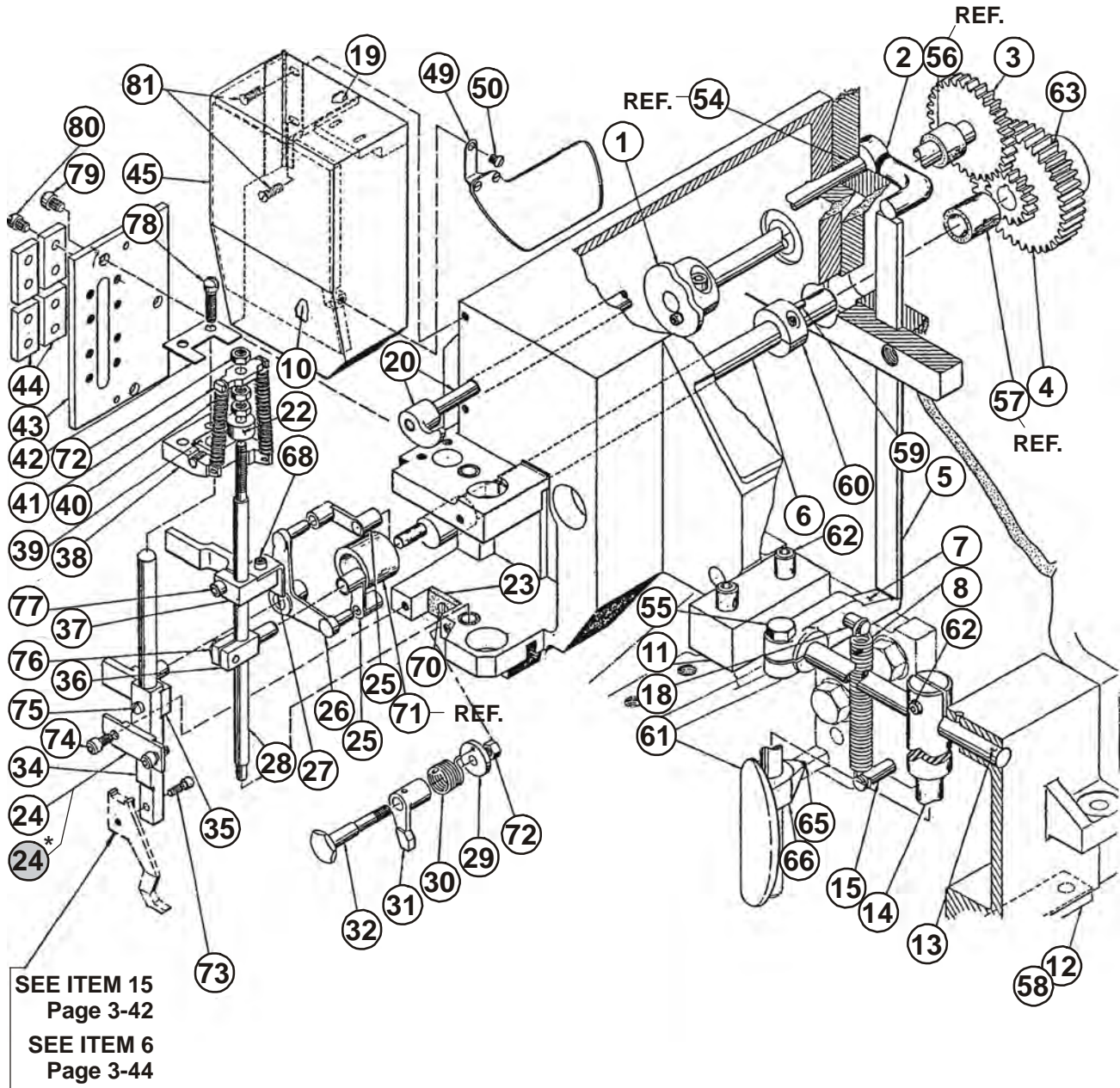
DET	PART NUMBER	DESCRIPTION	QTY
01	70.4223.3.029	Ass`y, Rt. Upper Looper Cam	1
02	36651001	Lifrer Lever. P. F.	1
03	36227019	Ass`y, Shaft Rt. Looper Cam	1
04	36271013	Ass`y, Presser Ft. Drive Gr.	1
05	32111012	Lifter Rod	1
06	36518077	Opreation Shaft	1
07	36651002	Lifter Lever	1
08	36543018	Lever Spring	1
09			
10	32731026	Sound Suppressor	1
11	35521055	Presser Foot Bearing	1
12			
13	31133018	Presser FT. Oper. Shaft	1
14	70.3172.1.024	Knee Oper. Shaft	1
15	31721040	Spring Post	1
16			
17			
18	31721038	Spring Post	1
19	32115013	Sound Suppressor	1
20	36619044	Shaft/ Press. Ft. Lifter	1
21			
22	31571002	Stationanry Press. Foot Cap	1
23	32217002	Follower Side Guide Plate	1
24	33242002	Retainer Strap	1
24*	70.3324.2.003	Retainer Strap (Back-Tack)	1
25	36621001	Connector Link	2
26	36672047	Lifting Bell Crank	1
27	34221010	Conn. Link Retainer	1
28			
29	31521001	Adjusting Collar	1
30	36543020	Torsion Spring	1
31	36613036	Spring Lever	1
32	31718027	Lever Stud	1
33			
34	31642007	Follow. Press. Ft. Shaft	1
35	35571021	Bell Crank Stud	1
36	31873013	Presser Foot Stud	1
37	33422001	Connector Link Block	1
38	33256011	Swivel Seat	1
39	31876011	Foot Swivel	1
40	36541005	Sprg. Tens. Follow. Ft	2
41	32729001	Clip Spring	1
42	32732001	Swivel Seat Cover	1
43	34732023	Rear Cover	1
44	32221007	Bell Crank Stud Guide	4
45	35771051	Ass`y Front Cover	1
46			
47			
48			
49	70.2691.1.188	Eye Guard 	1
50	04100070	Scr. Bind. Hd. # 1/4 - 20 x 3/8	1

Released 06/2010

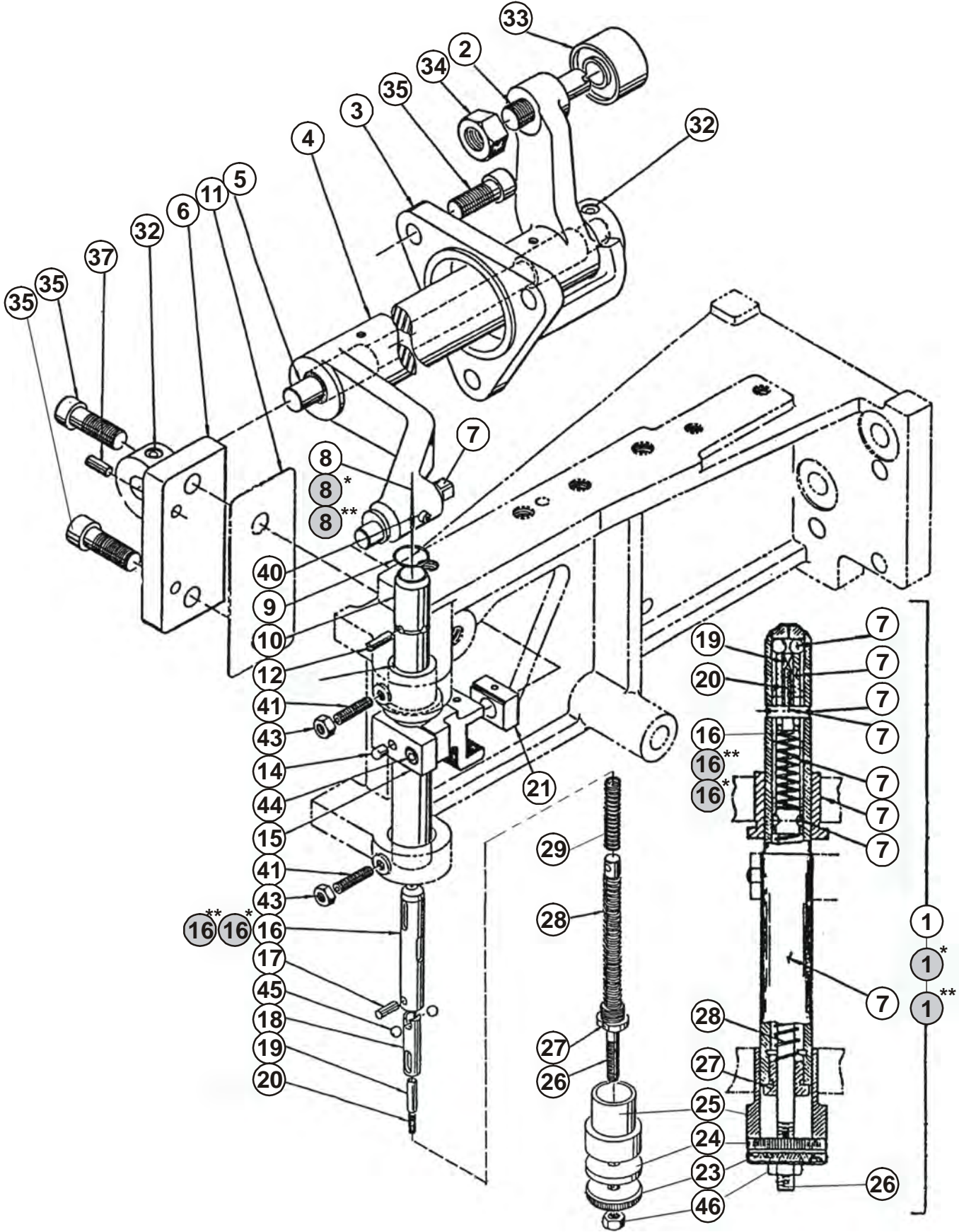
e-mail: service@amfreece.cz; parts@amfreece.cz; website: www.amfreece.com

Phone: +420 582 309 246; Fax: +420 582 360 606

PRESSER FOOT MECHANISM



LOWER NEEDLE BAR MECHANISM



Released 06/2010

e-mail: service@amfreece.cz; parts@amfreece.cz; website: www.amfreece.com

Phone: +420 582 309 286; Fax: +420 582 360 606

LOWER NEEDLE BAR MECHANISM

DET	PART NUMBER	DESCRIPTION	QTY
01	42531081	Needle Bar Assembly Size 38	1
01*	70.4253.1.078	Needle Bar Assembly Size 29	1*
01**	70.4253.1.079	Needle Bar Assembly Size 49	1**
02	31773015	Rocker Arm Bearing Stud	1
03	35521048	Rocker Arm Bearing	1
04	36691014	Rocker Arm	1
05	31723007	Rocker Arm Pivot	1
06	35521049	Rocker Arm Bearing	1
07	36518030	Bearing Block Stud	1
08	00103238	Round Needle 38	1
08*	00103228	Round Needle 28	1
08**	00103249	Round Needle 49	1
09	35131002	Pin Retainer	1
10	31697003	Needle Bar	1
11	32223045	Shim	1
12	31264001	Stop Pin	3
13	36523022	Small Bushing	1
14	31151001	(Locating Pin) Part of Assem.33441002	1
15	33441002	Lower Clamp, Needle Bar	1
16	35511021	Needle Support Sleeve 38	1
16*	35511081	Needle Support Sleeve 28	1*
16**	35511048	Needle Support Sleeve 49	1**
17	31111009	Sleeve Ext. Conn. Pin	1
18	31566008	Needle Clamp Sleeve	1
19	36771021	Needle Stop	1
20	36531010	Needle Stop Spring	1
21	33182005	Needle Bar Bearing Block	1
23	31593007	Sleeve Adj. Nut	1
24	31412001	Spring Plunger Washer	1
25	36523021	Large Bushing	1
26	31674025	Sleeve Extension	1
27	31695011	Spring Cap	1
28	36532021	Needle Bar Spring	1
29	36532022	Needle Lock Spring	1
32	03100066	Scr. Set Hex.Soc. Cup Pt.# 1/4 - 20 x 5/16	2
33	23231030	Bearing , Ball Part of A 31773015.	1
34	06104001	Nut, Lock "ESNA" # 29 NTE - 54	1
35	01000039	Scr., Hex. Soc. Hd. Cap # 5/16 - 18 x 3/4	5
37	08002028	Pin, Dowel # 3/16 x 7/8	1
40	01002106	Scr., Hex. Soc. Hd. Cap # 10 - 32 x 5/8	1
41	03130001	Scr. Set Hex. Soc. Cone Pt # 8 - 32 x 1/2	2
42			
43	06020019	Nut, Jam Hex.# 8 - 32	2
44	01000013	Scr., Cap. Hex. Soc.# 8 - 32 x 1/2	1
45	22965006	Ball. Stl. "New Departure" # 11/64	2
46	06002001	Nut, Hex. S. Stl. # 10 - 32	1

* — used on Size 28

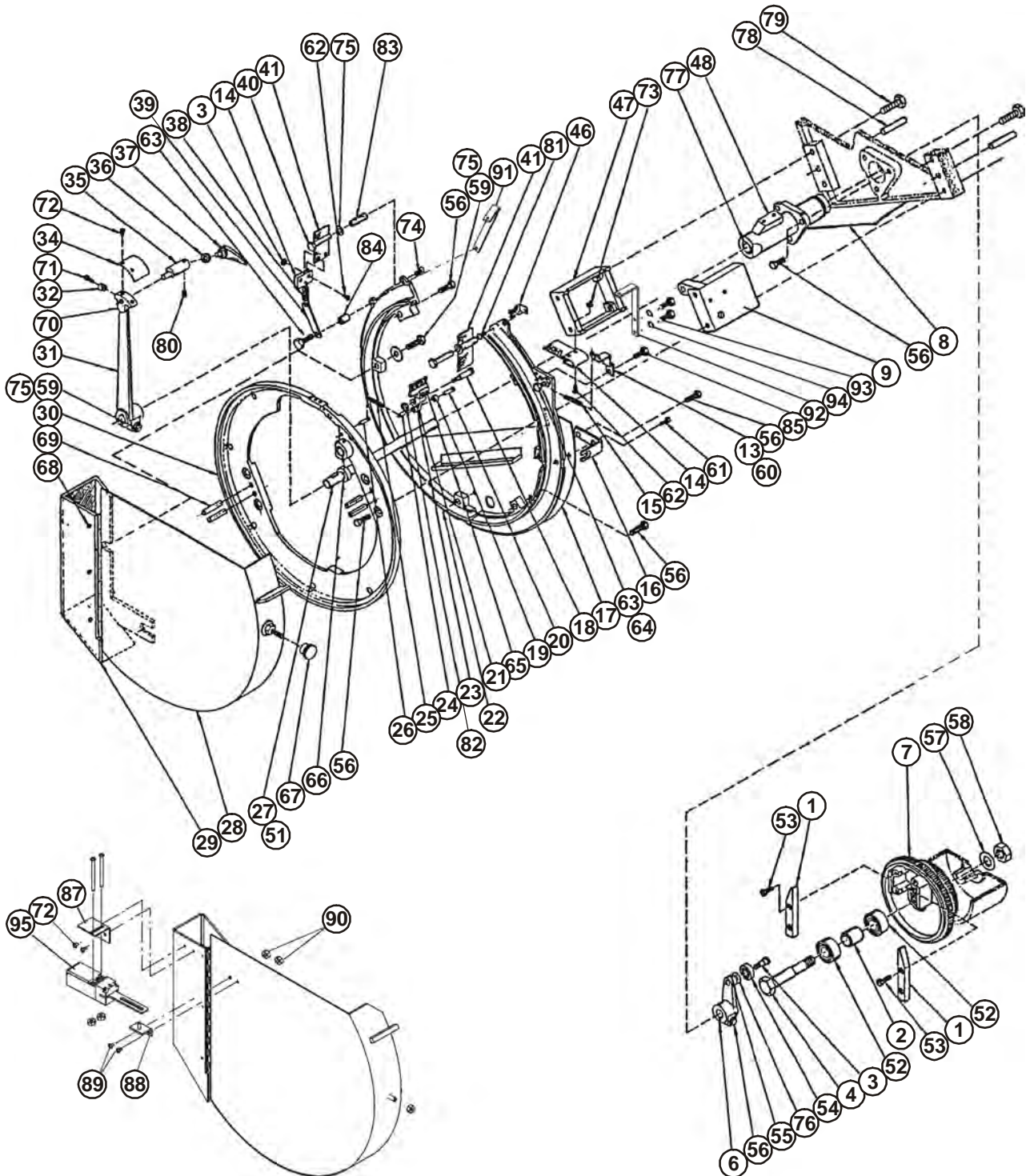
** — used on Size 49

Released 06/2010

e-mail: service@amfreece.cz; parts@amfreece.cz; website: www.amfreece.com

Phone: +420 582 309 246; Fax: +420 582 360 606

LOWER LOOPER AND THREAD DRUM MECHANISM



Released 06/2010

e-mail: service@amfreece.cz; parts@amfreece.cz; website: www.amfreece.com

Phone: +420 582 309 286; Fax: +420 582 360 606

LOWER LOOPER AND THREAD DRUM MECHANISM

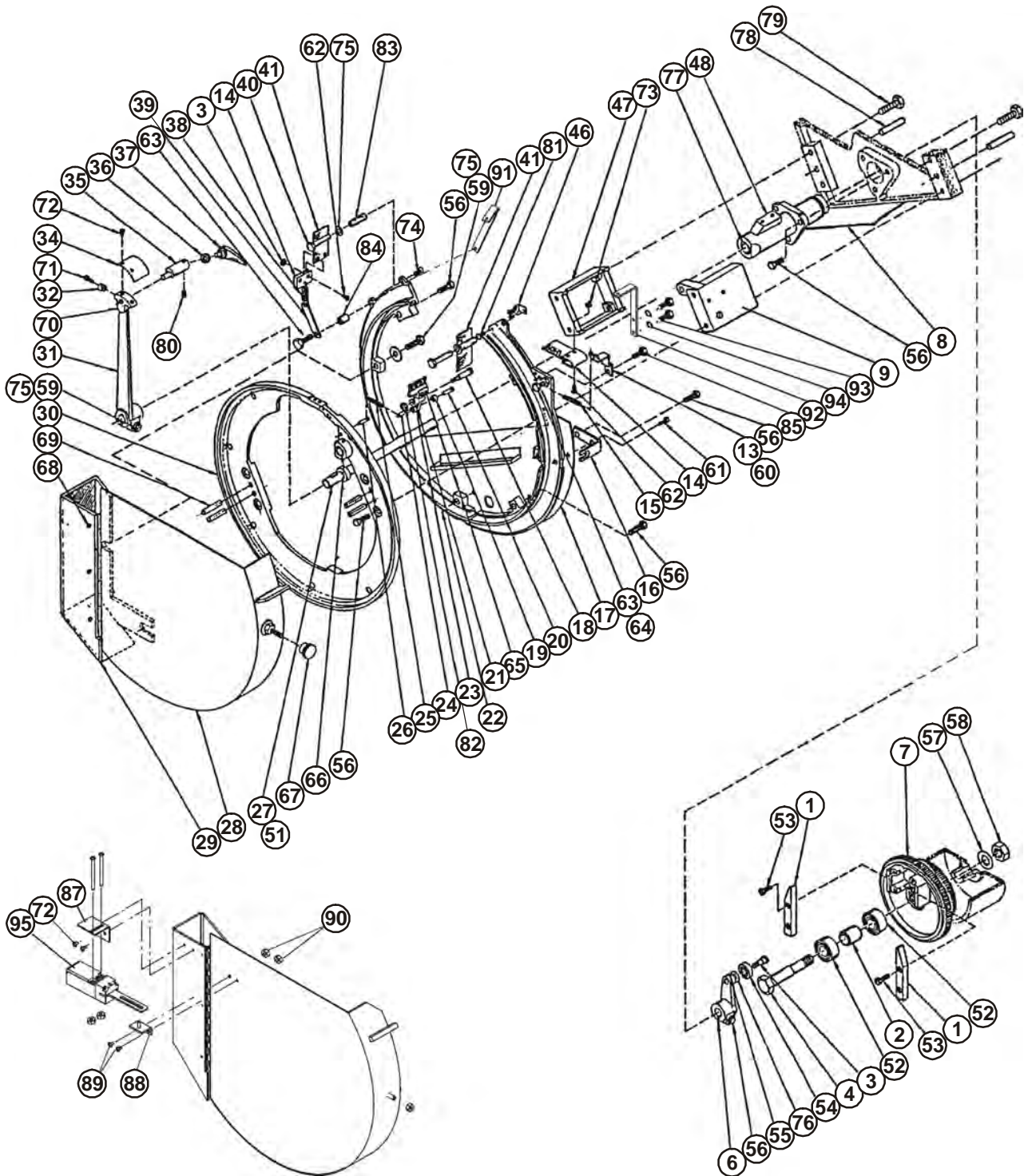
DET	PART NUMBER	DESCRIPTION	QTY
01	32533076	Drive Gib	2
02	31464002	Bearing Spacer	1
03	31715005	Bearing Stud	1
04	31845002	Gear Stud	1
05			
06	36651008	Arm Crank	1
07	36271006	Arm Crank Drive Gear	1
08	70.3577.7.042	Crank Guard	1
09	35561001	Tie Bracket (only for DECO 2000 BP)	1
10			
11			
12			
13	34647001	Belt Tightener Arm	1
14	34111085	Belt Spring Fastener	2
15	36542017	Thread Tightener Spring	1
16	34372004	Lock Clip	1
17	35778014	R. S. Drum Cover	1
18	31718025	Brush Cam Lever Stud	1
19	31413030	Cam Roller	1
20	31612051	Roll Stud	1
21	70.3669.1.008	Brush Holder Cam Lever	1
22	35633040	Thread Separator	1
23	70.3727.4.013	Thread Brush	1
24	31721053	Spring Post	1
25	07.6440.0.050	Lever Spring	1
26	31721054	Spring Post	1
27	31781006	Loop Arm Shaft	1
28	41831082	Drum Cover Assembly	1
29	35812048	Rear Drum Guard	1
30	35633041	Drum	1
31	36653010	Lower Looper Arm	1
32	31572004	Locking Wedge	1
33			
34	34585001	Belt Support	1
35	36518029	Lower Looper Hook Extn.	1
36	36341050	Lower Looper Hook Spacer	1
37	37211018	Lower Hook Assembly	1
38	36543019	Take - Up Spring	1
39	32241004	Take - Up Spring Lever	1
40	31838013	Belt Pulley Stud	2
41	70.3657.2.009	Thread Belt	1
42			
43			
44			
45			
46	37112030	Ass`y., Separator Guide (only for DECO 2000 ATT)	(2)
47	35371004	Drum Rear Tie Bracket	1
48	35541070	Hook Arm Bearing	1
49			
50			

Released 06/2010

 e-mail: service@amfreece.cz; parts@amfreece.cz; website: www.amfreece.com

Phone: +420 582 309 246; Fax: +420 582 360 606

LOWER LOOPER AND THREAD DRUM MECHANISM



Released 06/2010

e-mail: service@amfreece.cz; parts@amfreece.cz; website: www.amfreece.com

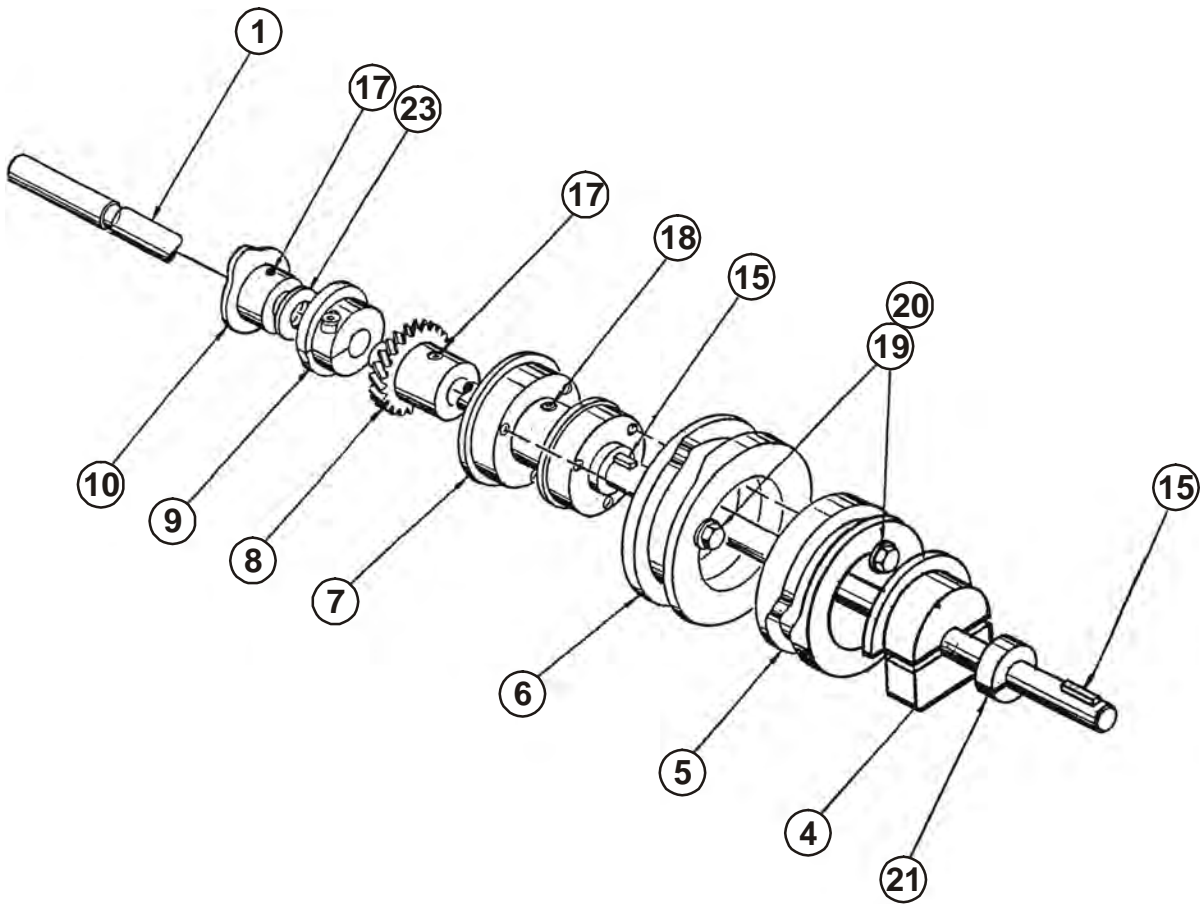
Phone: +420 582 309 286; Fax: +420 582 360 606

LOWER LOOPER AND THREAD DRUM MECHANISM

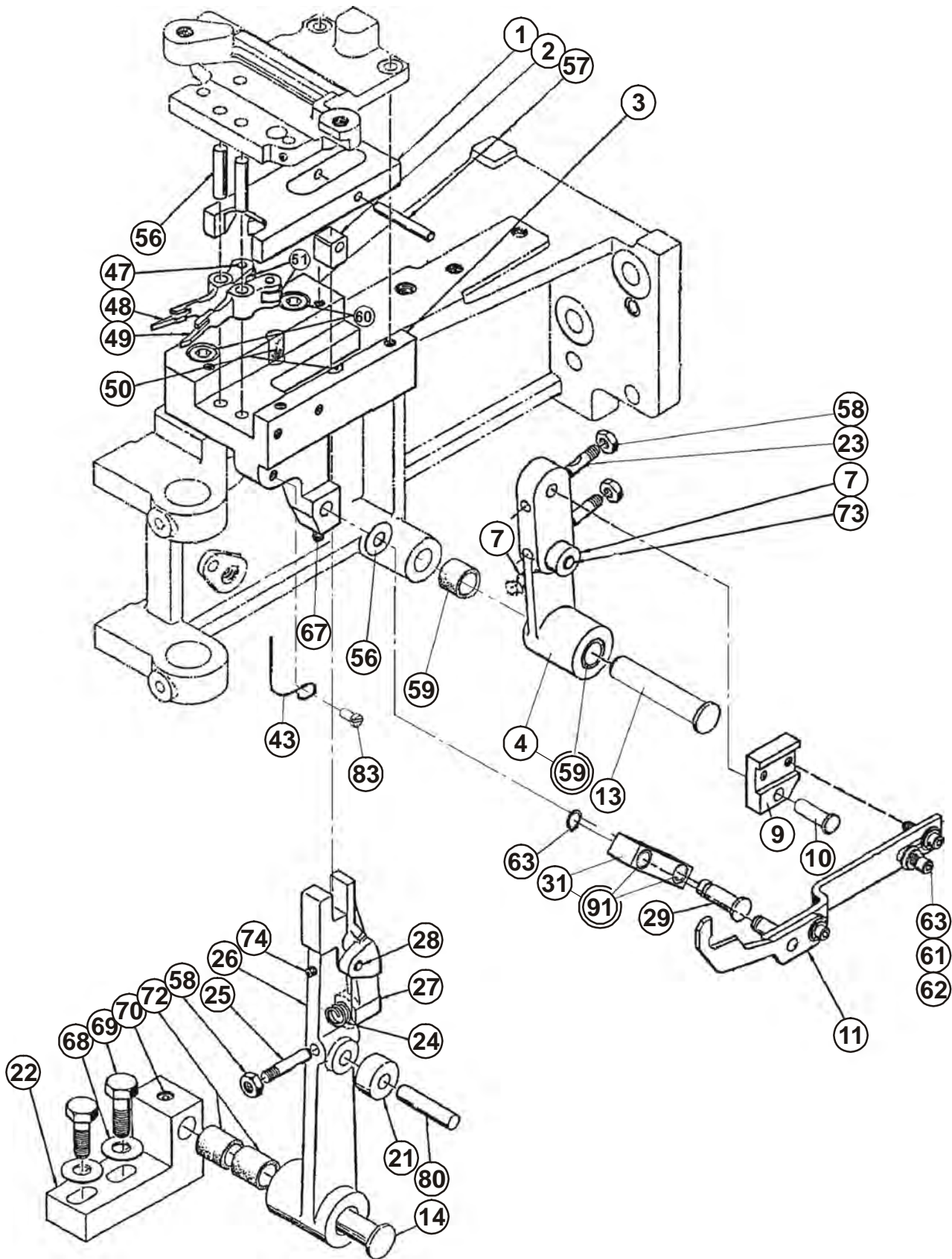
DET	PART NUMBER	DESCRIPTION	QTY
51	09020001	Key, Hi - Pro # 1/8 x 5/8	1
52	23231217	Bearing, Ball, " New Depart"# Z 99503	2
53	01000026	Scr., Hex. Soc. Hd. Cap # 1/4 - 20 x 5/8	4
54	23231210	Bearing, Ball, " New Depart"# 77039	1
55	03100013	Scr., Set Hex. Soc. Hd. Cup Pt. # 1/4 - 20 x 3/8	1
56	04200027	Scr., Hex. Hd. # 5/16 - 18 x 1.0	11+(1)
57	07002009	Washer, Flat # 5/8	1
58	06030014	Nut, Hex. # 5/8 - 11	1
59	04200031	Scr. Hex. Hd. # 5/16 - 18 x 1 1/4	3
60	23914009	Hook "S" - Gerwin Corp.# 55 - 3/4	1
61	04100011	Scr. Binding Hd.# 10 - 32 x 3/8	1
62	04100053	Scr. Binding Hd.# 8 - 32 x 5/16	4
63	04202013	Scr.Hex Hd.# 1/4 - 20 x 1 1/4	2
64	06000004	Nut, Hex # 1/4 - 20	3
65	04120005	Scr. Fil.Hd.# 5 - 40 x 3/8	2
66	23161073	Bearing , "Oilite" # FF - 707 - 3	1
67	22967003	Knob w/1/4 - 20 Insert "Reid"# DK - 17	1
68	22914003	Rivet, Stl. # 4 x 580 (500)	3
69	08000016	Pin, Dowel # 3/16 x 3/4	4
70			
71	01002015	Scr. Hex Soc.Hd. Cap # 8 / 32 x 5/8	1
72	01200011	Scr. Hex Soc.But. Hd. Cap # 8 / 32 x 1/4	2
73	06020019	Nut Hex.Jam # 8 - 32	4
74	04000020	Scr.,Flat Hd.# 10 - 32 x 1/2	2
75	07012010	Washer, Flat # 5/16	3+(1)
76	22912066	Plain Washer, S. Stl."SDP" # 9 x 20- 51	1
77	23161095	Bushing,"Oilite" # FF 843 - 2	(2)
78	08000022	Pin, Dowel # 5/16 x 1 1/4	2
79	04200051	Scr., Hex. Soc.Cap # 5/16 - 18 x 1 1/2	4
80	03100012	Scr.,Set Hex. Soc.Cup # 10 - 32 x 1/4	1
81	01200019	Scr.,But.Hd. Hex. Soc. # 6 - 32 x 1/2	1
82	06000002	Nut, Hex. # 10 - 32	1
83	31838014	Bushing Diameter 8 x 35	2
84	31423032	Spacer."RAF"# 1223 - 25 - SS - O -	1
85	04200012	Scr. Hex.Hd. # 1/4 - 20 x 1/2	1
86	17.0004.7.253	Oiler	(1)
87	70.3441.6.045	Switch Holder	1
88	70.3441.6.046	Controller	1
89	01200011	Screw	2
90	06020019	Nut	2
91	70.3288.3.605	Holder	1
92	70.3288.3.604	Holder	1
93	01000002	Screw # 8-32x3/8	2
94	07102007	Spring Washer	2
95	12.0008.4.596	Limit Switch	1

Released 06/2010
e-mail: service@amfreece.cz; parts@amfreece.cz; website: www.amfreece.com
Phone: +420 582 309 246; Fax: +420 582 360 606

MAIN CAM SHAFT ASSEMBLY



THREAD GRIPPER & ELEVATOR MECHANISM



Released 06/2010

e-mail: service@amfreece.cz; parts@amfreece.cz; website: www.amfreece.com

Phone: +420 582 309 286; Fax: +420 582 360 606

THREAD GRIPPER & ELEVATOR MECHANISM

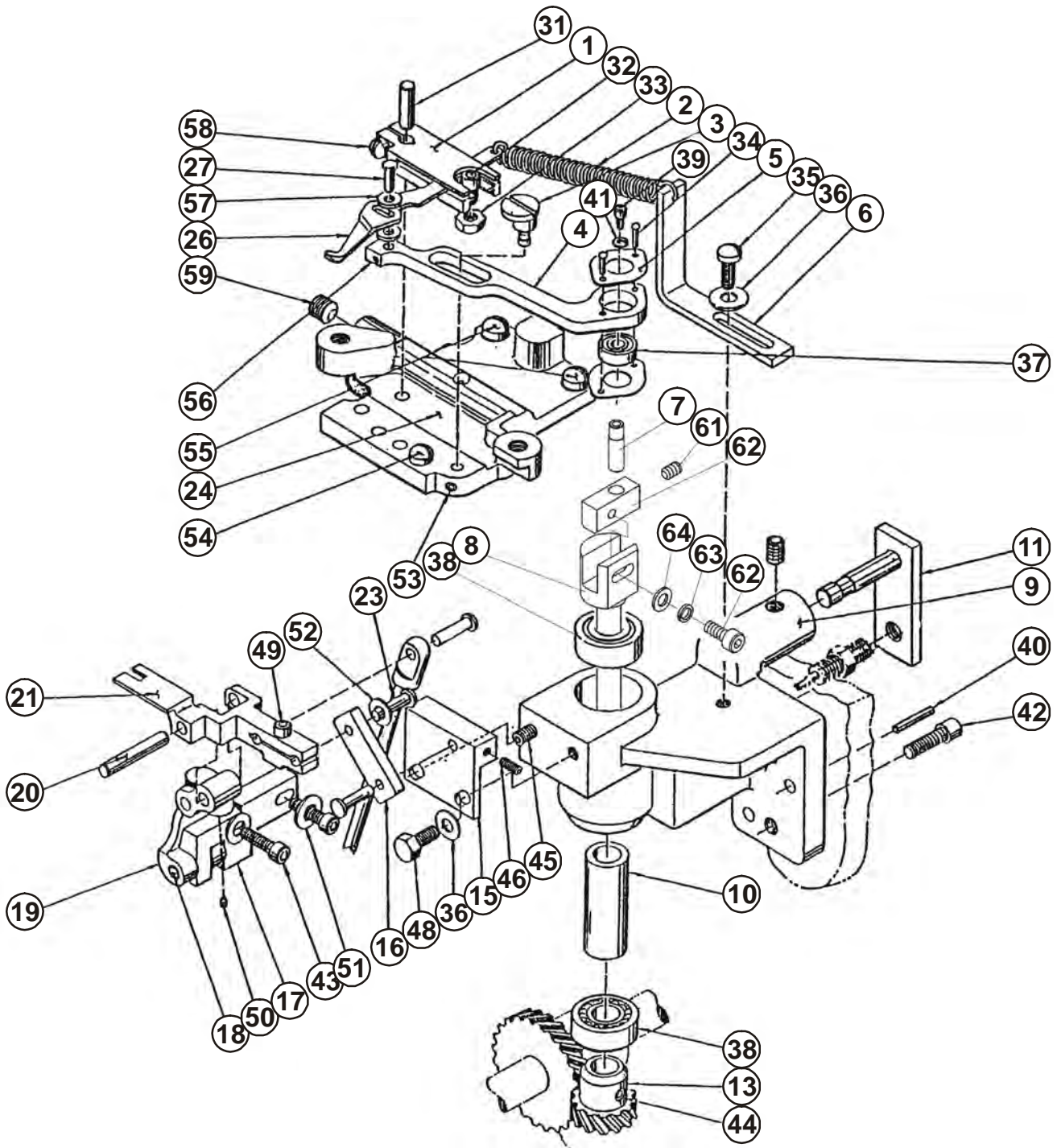
DET	PART NUMBER	DESCRIPTION	QTY
01	33257001	Clamp Finger Cam Slide	1
02	32434001	Thread Clamp Pivot Block	1
03	35551002	Thread Clamp Finger Brkt.	1
04	36661001	Thread Lifter Hook Cam Lever	1
07	31413031	Cam Roller	1
09	33244009	Hook Adjust Block	1
10	31611010	Cam Lever Stud	1
11	70.3721.1.153	Lifter Hook Assembly	1
13	31641015	Cam Lever Stud	1
14	31641019	Cam Lever Stud	1
16			
17			
19			
21	31423068	Cam Roller	1
22	36613038	Clamp Pivot Bracket	1
24	36532025	Clamp Finger Lever Spring	1
25	31288023	Clamp Stud	3
26	36673028	Clamp Finger Lever	1
27	36647001	Spring Piece	1
28	31215008	Piece Pin	1
29	31641010	Thread Hook Lifter Lever Stud	1
31	33334012	Thread Hook Lifter Lever	1
43	70.3282.7.100	Divider	
47	31112002	Roller Pin	2
48	70.3664.5.007	Rear Finger	1
49	70.3664.5.006	Front Finger	1
50	32121004	Slide Wick Oiler	2
51	31413029	Cam Roller	2
56	08000044	Pin Dowel # 3/16 Dia x 1	2
57	08000109	Pin Dowel # 5/32 x 1	1
58	06000002	Nut # 10 - 32	2
59	01.7305.0.900	Bearing	● ● (2)
60	01000047	Scr. Hex. Soc. Hd. Cap # 5/16 - 18 x 1	2
61	07012005	Washer, Flat # 8	2
62	07102007	Washer, Lock Spring # 8	2
63	25379218	Ring Retainer # 5100 - 25 (1/4)	1
65	01000002	Scr. Hex. Soc. Hd. Cap # 8 - 32 x 3/8	2
67	03100012	Scr.Set Hex. Soc. Cup Pt. # 10 - 32 x 1/4	1
68	07012002	Washer Flat # 1/4	2
69	01000037	Scr. Hex. Hd. # 1/4 - 20 x 1.0	2
70	03100066	Scr.Set Hex. Soc. Cup Pt. # 1/4 - 20 x 5/16	2
72	23132142	Bearing " Oilite " # AA - 521 - 1	2
73	08000110	Pin, Dowel # 7/32 Dia x 5/8	1
74	03140003	Scr.Set Hex. Soc. Oval Pt. # 8 - 32 x 3/8	1
80	08000007	Pin, Dowel # 1/4 Dia x 1.0	1
83	04100054	Screw #8-32	1
91	23132056	Bearing	(2)

Released 06/2010

 e-mail: service@amfreece.cz; parts@amfreece.cz; website: www.amfreece.com

Phone: +420 582 309 246; Fax: +420 582 360 606

PICK STITCH & TENSION FINGER



Released 06/2010

e-mail: service@amfreece.cz; parts@amfreece.cz; website: www.amfreece.com

Phone: +420 582 309 286; Fax: +420 582 360 606

PICK STITCH & TENSION FINGER

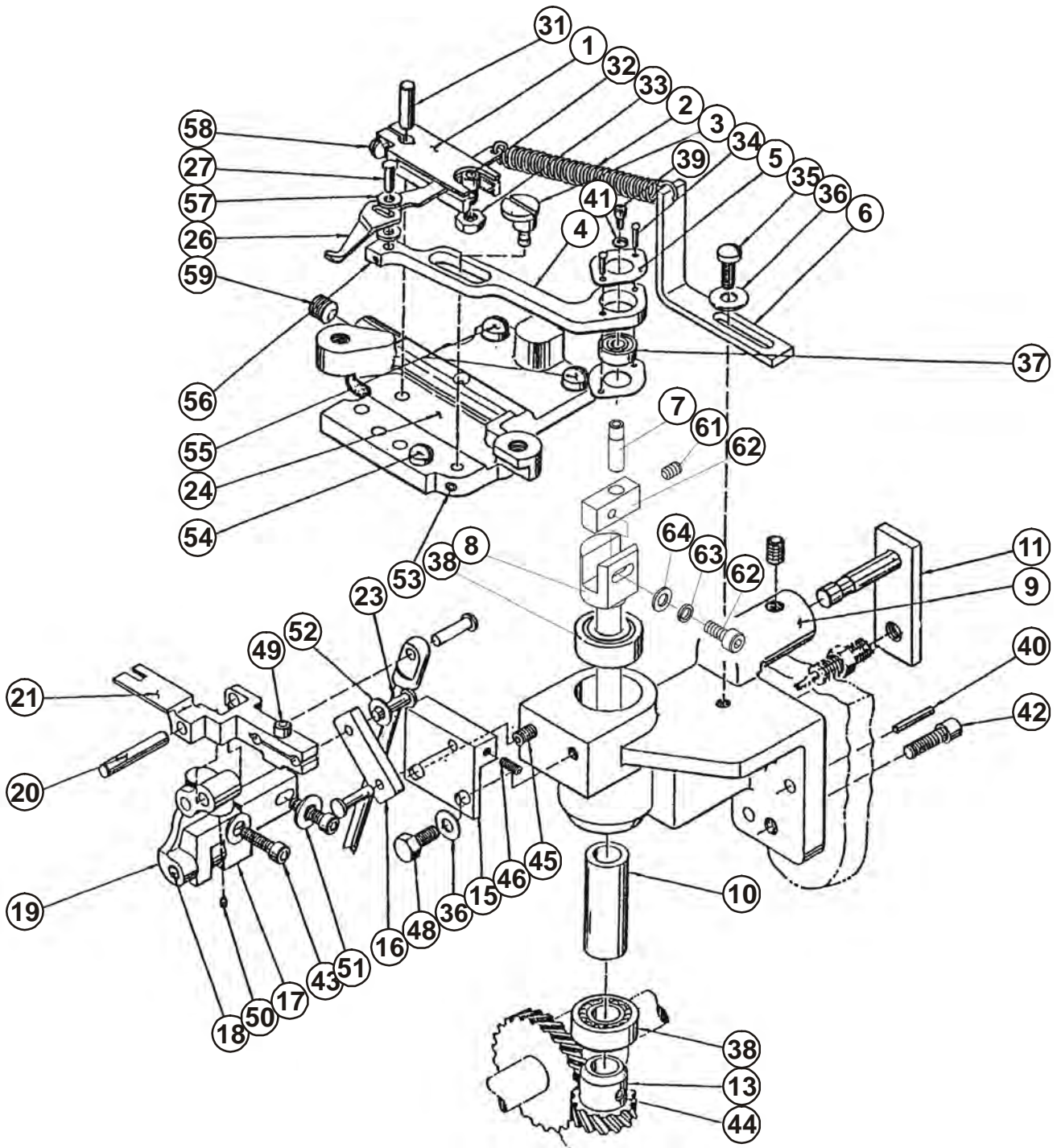
DET	PART NUMBER	DESCRIPTION	QTY
01	35511045	Support Block	1
02	36542018	Finger Spring	1
03	36518027	Stud Eccentric	1
04	35526005	Slide Support	1
05	32691001	Ball Bearing Retainer	2
06	34372042	Finger Spring Tension Holder	1
07	70.3651.8.022	Support Stud	1
08	70.3651.8.020	Eccentric Shaft	1
09	35542007	Tension Finger Ball Bearing Bracket	1
10	31426015	Bearing Spacer	1
11	31000009	Sensor Holding Assembly	1
12			
13	36221009	Driven Gear	1
14			
15	33252029	Pusher Plate	1
16	32643073	Link (Pick Stitch)	1
17	33258075	Plate Bracket Pivot Arm Support	1
18	31721022	Lower Finger	1
19	36677016	Pivot, Arm	1
20	31215012	Bracket Pin	1
21	36691021	Bender Plate	1
22			
23	31612045	10 - 6 Cam Roller Stud	3
24	35815007	Bracket Cover	1
25			
26	37211131	Thread Tension Finger	1
27	31611064	10 - 1 Plain Stud	1
28			
29			
30			
31	08000015	Pin, Dowel #3/16 Dia x 5/8 Lg	1
32	01000058	Scr., Hex. Soc. Hd. Cap # 8 - 32 x 3/16	1
33		Nut, Square # 8 - 32	1
34	08504001	Rivet, Rd. Hd. (Alum.) # 1/16 x 5/16	2
35	04120002	Scr., Fill. Hd. # 10 - 32 x 3/8	1
36	07012001	Washer, Flat # 10	2
37	23231040	Bearing , Ball "New Depart" # 77 R 3	1
38	23231226	Bearing	2
39	01000005	Scr., Hex. Soc. Hd. Cap # 6 - 32 x 1/4	1
40	08000044	Pin, Dowel # 3/16 x 1.0	2
41	07102007	Washer, Lock # 8	1
42	01000047	Scr., Hex. Soc. Hd. Cap # 5/16 - 18 x 1.0	1
43	01002015	Scr., Hex. Soc. Hd. Cap # 8 - 32 x 5/8	2
44	03100154	Scr., Hex. Soc. Hd. Cup Pt. # 10 - 32 x 3/16	2
45	03102026	Scr., Hex. Soc. Hd. Cup Pt. # 10 - 32 x 1/2	1
46		Scr., Hex. Soc. Flat Pt. # 8 - 32 x 1/4	1
47			
48	04200039	Scr., Hex. Hd. # 10 - 32 x 3/8	1
49	01000027	Scr., Cap Hex. Soc. # 6 - 40 x 3/8	1
50	03101038	Scr., Set Self lock Knurl. Cup # 6- 40 x 1/4	1

Released 06/2010

e-mail: service@amfreece.cz; parts@amfreece.cz; website: www.amfreece.com

Phone: +420 582 309 246; Fax: +420 582 360 606

PICK STITCH & TENSION FINGER

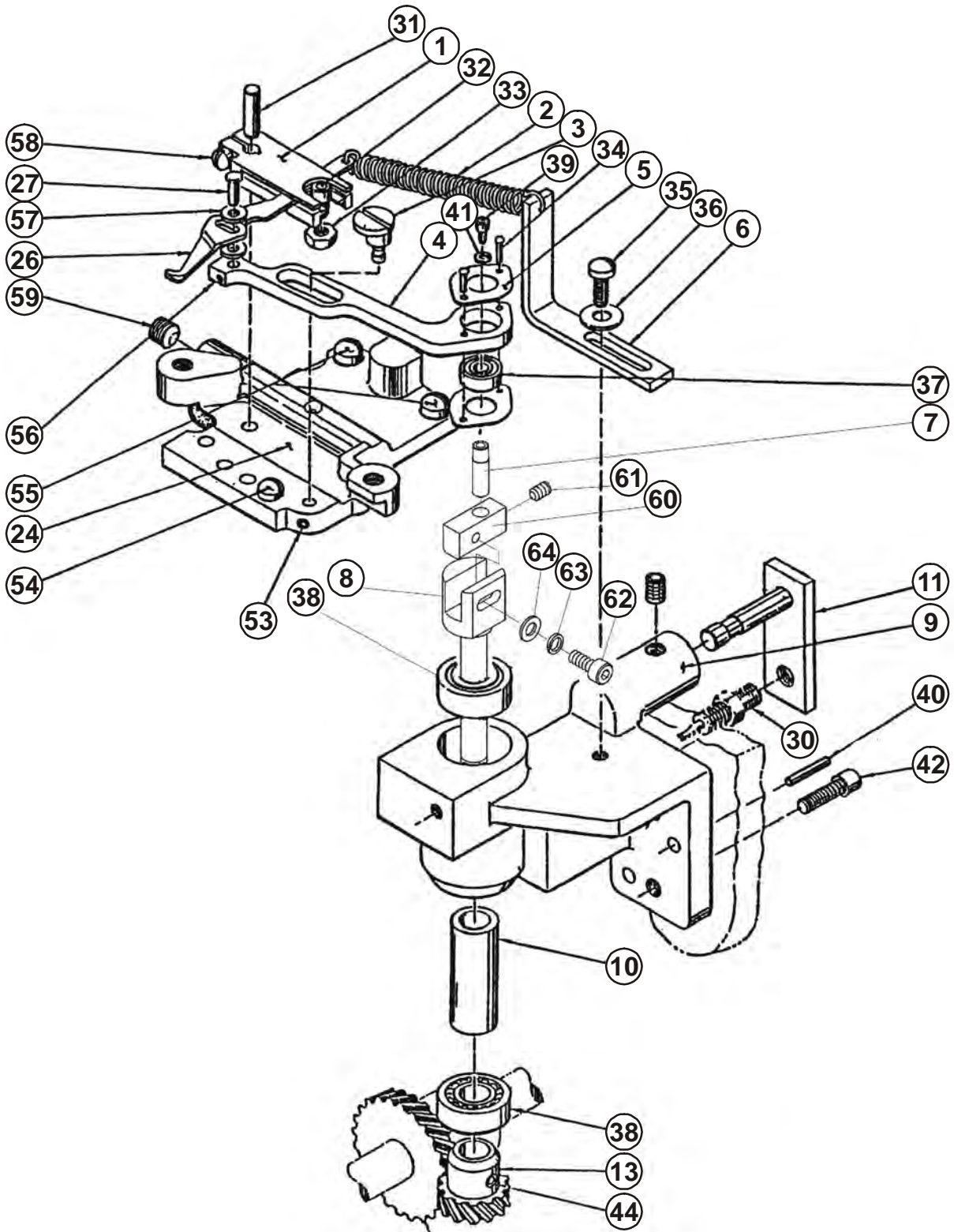


Released 06/2010

e-mail: service@amfreece.cz; parts@amfreece.cz; website: www.amfreece.com

Phone: +420 582 309 286; Fax: +420 582 360 606

TENSION FINGER ASSEMBLY



Released 06/2010

e-mail: service@amfreece.cz; parts@amfreece.cz; website: www.amfreece.com

Phone: +420 582 309 286; Fax: +420 582 360 606

TENSION FINGER ASSEMBLY

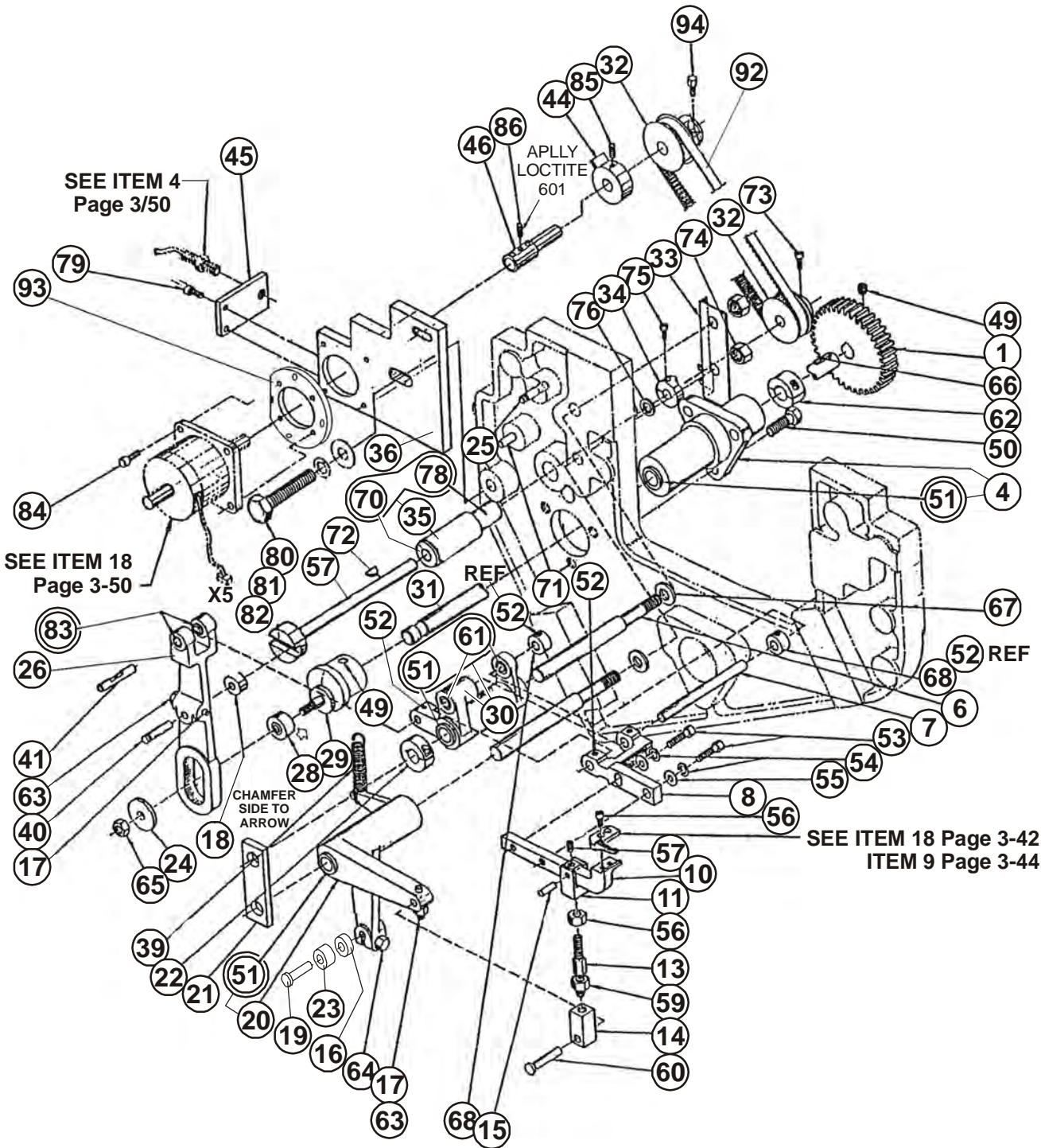
DET	PART NUMBER	DESCRIPTION	QTY
01	35511045	Support Block	1
02	36542018	Finger Spring	1
03	36518027	Stud Eccentric	1
04	35526005	Slide Support	1
05	32691001	Ball Bearing Retainer	2
06	34372042	Finger Spring Tension Holder	1
07	70.3651.8.022	Support Stud	1
08	70.3651.8.020	Eccentric Shaft	1
09	35542007	Tension Finger Ball Bearing Bracket	1
10	31426015	Bearing Spacer	1
11	31000009	Sensor Holding Assembly	1
12			
13	36221009	Driven Gear	1
24	35815007	Bracket Cover	1
25			
26	37211131	Thread Tension Finger	1
27	31611064	10 - 1 Plain Stud	1
28			
29			
30	12.0008.3.244	Sensor	1
31	08000015	Pin, Dowel # 3/16 Dia. X 5/8 Lg.	1
32	01000058	Scr., Hex. Soc.Hd. Cap. # 8 - 32 x 3/16	1
33	06000003	Nut. Mach. Scr. Hex. # 8 - 32	1
34	08504001	Rivet, Rd. Hd. (Alum.) # 1/16 x 5/16	2
35	04120002	Scr., Fil. Hd. # 10 - 32 x 3/8	1
36	07012001	Washer, Flat # 10	1
37	23231040	Bearing, Ball "New Depart" # 77 R 3	1
38	23231226	Bearing	2
39	01000005	Scr., Hex. Soc.Hd. Cap. # 8 - 32 x 1/4	1
40	08000044	Pin, Dowel # 3/16 x 1.0	1
41	07102007	Washer, Lock # 8	1
42	01000047	Scr., Hex. Soc.Hd. Cap. # 5/16 - 18 x 1.0	1
43			
44	03100154	Scr., Set Hex. Soc.Cup Pt. # 10 - 32 x 3/16	1
45			
46			
47			
53	03100038	Scr., Set Hex. Soc.Cup. # 5 - 40 x 3/16	1
54	04120012	Scr., Fil. Hd. # 8 - 32 x 5/16	1
55	04120001	Scr., Fil. Hd. # 8 - 32 x 1/2	2
56	03100147	Scr., Set Hex. Soc.Cup.Pt. # 6 - 40 x 3/16	1
57	07016002	Washer, Flat (Brass) # 5	2
58	04120004	Scr., Fil. Hd. # 8 - 32 x 3/8	1
59	03100008	Scr., Set Hex. Soc.Cup.Pt. # 1/4 - 20 x 1/4	1
60	70.3651.8.021	Holder	1
61	08.6400.4.005	Screw M4x5	
62	08.6000.4.010	Screw M4x10	
63	08.6802.4.000	Spring Washer 4,1	
64	08.6852.4.000	Washer 4,3	

Released 06/2010

e-mail: service@amfreece.cz; parts@amfreece.cz; website: www.amfreece.com

Phone: +420 582 309 246; Fax: +420 582 360 606

MATERIAL FEED



MATERIAL FEED

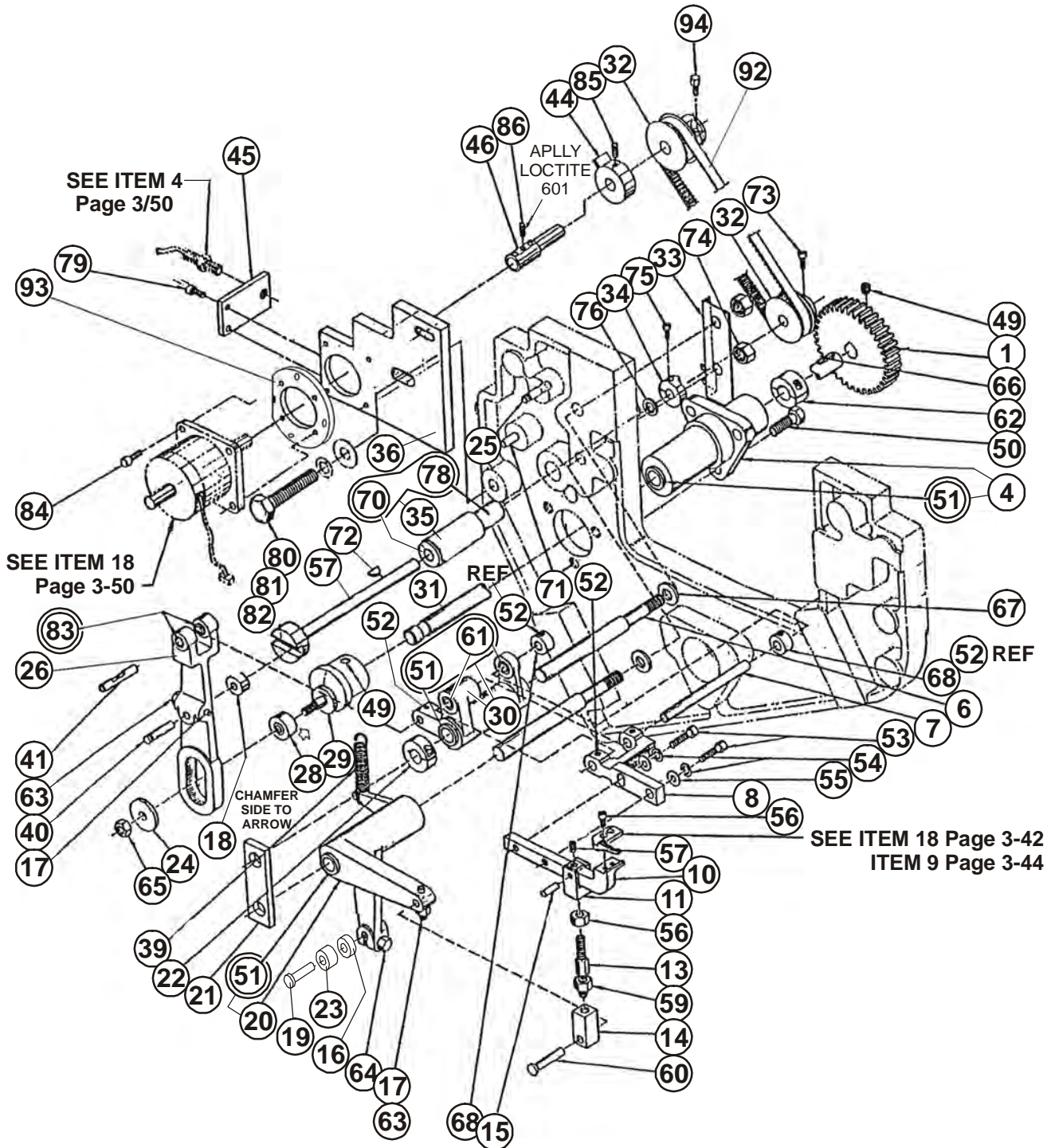
DET	PART NUMBER	DESCRIPTION	QTY
01	36226011	Material Feed Drive Gear ●●●	1
02			
03			
04	31881004	Material Feed Drive Shaft Bearing	1
05			
06	31773013	Feed Motion Brkt. Shaft	2
07	31217001	Material Feeder Arm Support Bracket Shaft	1
08	35523018	Material Feeder Support Bracket	1
09			
10	36613034	Material Feeder Arm	1
11	32739004	Material Feeder Arm Fift, Fork	1
12			
13	31852015	Feeder Lifter Rod	1
14	32428002	Feeder Lifter Rod Hd.	1
15	31215002	Lifter Fork Pin	1
16	08.6852.6.000	Washer	1
17	31288023	Clamp Stud	2
18	70.3142.3.070	Guide Block	1
19	31612052	Cam Roller Stud	1
20	36691022	Feeder Lifter Bell Crank	1
21	32225017	Shaft Support Plate	1
22	31511015	Feed Mtn. Bracket Shaft Collar	1
23	23231045	Bearing	1
24	31421005	Feed Mtn. Ecc. Stud Washer	1
25	31721039	Post, Spring	1
26	36667012	Feed Eccentric Arm	1
27			
28	36344057	Feed Motion Cam roller	1
29	36515020	Material Feed Cam	1
30	36678019	Feed Motion Bracket	1
31	31728003	Material Feed Drive Shaft	1
32	36343061	Pulley Stitch Adj. Shaft Drive ●	2
33	70.3462.7.067	Limit Stop Plate	1
34	36771079	Slide Block Limit Stop	1
35	35225010	Slide Bearing Block	1
36	31000006	Motor Mounting Bracket ●	1
37	31644004	Stitch Adj. Slide Block	1
38			
39	36546024	Ext. Spring	1
40	08000007	Pin Dowel #1/4 x 1	1
41	31215079	Feed Motion Bracket Pin	1
42			
43			
44	31000018	Home Sensor Cam	1
45	70.3100.0.020	Sensor Mtg. Plate	1
46	70.3100.0.043	Extension Shaft	1
47			
48			
49	03100013	Scr., Set Hex. Soc.Cup.Pt. # 1/4 - 20 x 3/8	2
50	04200030	Scr., Hex.Hd.Cap # 5/16 - 18 x 3/4	1

Released 06/2010

e-mail: service@amfreece.cz; parts@amfreece.cz; website: www.amfreece.com

Phone: +420 582 309 246; Fax: +420 582 360 606

MATERIAL FEED



MATERIAL FEED

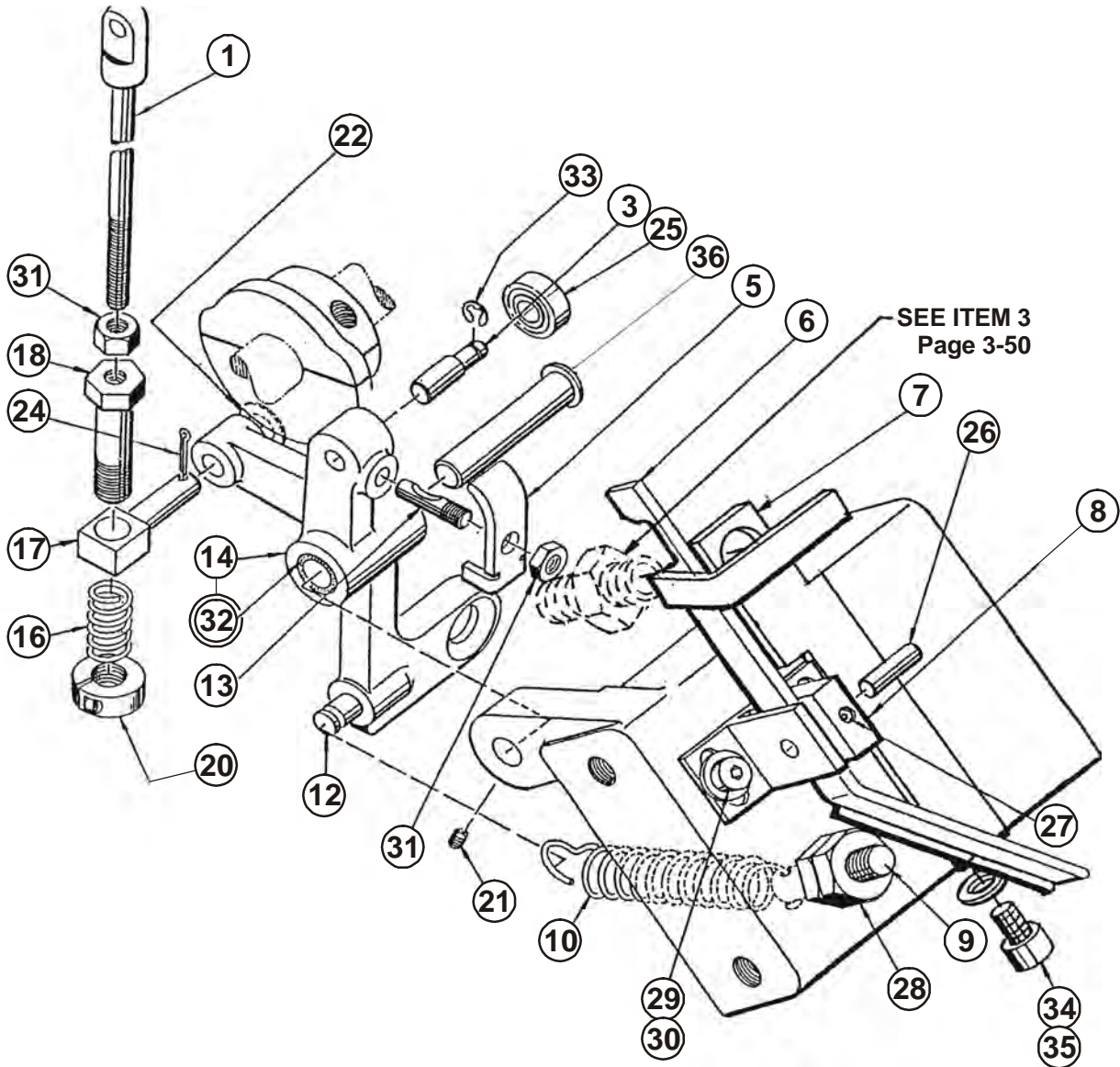
DET	PART NUMBER	DESCRIPTION	QTY
51	23161073	Bushing"Oilite"#FF - 707 - 3 ● ●	(6)
52	03100051	Scr., Set Hex. Soc.Cup.Pt. # 8 32 x 1/8	3
53	01000019	Scr., Hex. Soc. Hd.Cap. # 10 - 32 x 3/4	1
54	07100011	Washer, Lock #10	2
55	07012001	Washer, Flat # 10	2
56	01000059	Scr., Hex. Soc. Hd.Cap. # 6 - 40 x 1/4	1
57	03100012	Scr., Hex. Soc.Cup.Pt. # 10 - 32 x 1/4	1
58	06020004	Nut.Hex.Jam # 1/4 - 20	1
59	06020021	Nut.Hex.Jam L. H. # 1/4 - 20	1
60	31612054	Stud, Cam Roller # 10 - 6 - 1A1 - 67	1
61	23132122	Bearing "Oilite" # AA - 520 - 8 ● ●	3
62	24117012	Collar "Holokrome" # 15014	1
63	06000002	Nut. Hex # 10 - 32	1
64	04200011	Scr., Hex. Hd. # 10 - 32 x 5/8	1
65	06000005	Nut. Hex # 1/4 - 28	1
66	09020001	Key, Hi - Pro # 1/8 x x 5 /8	1
67	22912090	Washer "Reid`s " H. Duty # FW - 3	2
68	01.7435.1.000	Collar	2
69			
70	23161048	Bushing "Oilite" # FF - 607 - 3 ● ●	(1)
71	08000044	Pin. Dowel # 3/16 x 1	1
72			
73	01000013	Scr., Hex. Soc. Hd. Cap # 8 - 32 x 1/2	2
74	06000014	Nut. Hex # 3/8 - 16	2
75	01000017	Scr., Hex. Soc. Hd. Cap # 6 - 32 x 3/8	1
76	23181235	Bearing, Thrust "Rulon"# DRT 0612 - 2	1
77			
78	23132155	Bushing "Oilite" # AA - 507 - 2 ● ●	(1)
79	01000026	Scr. H. S. H. C. # 1/4 - 20 x 5/8	1
80	04200046	Scr., Hex. Hd. # 3/8 - 16 x 2	1
81	07100009	Washer, Spring Lock # 3/8	1
82	07012003	Washer, Flat # 3/8	1
83	23161008	Bearing "Oilite" # FF - 303 ● ●	(2)
84	01000056	Scr., Hex. Hd.Cap # 10 - 24 x 1/2	4
85	03102026	Scr.,Set Hex.Soc.Cup Pt. # 10 - 32 x 1/2	1
86	08.6400.4.008	Screw M 4 - 8	3
87			
88			
89			
90			
91			
92	24381054	Belt Timming " SDP"# 6 B 3085025 ● ● ●	1
93	70.3100.0.040	Motor Flange	1
94	08.6000.4.010	Screw M 4 - 10	4

Released 06/2010

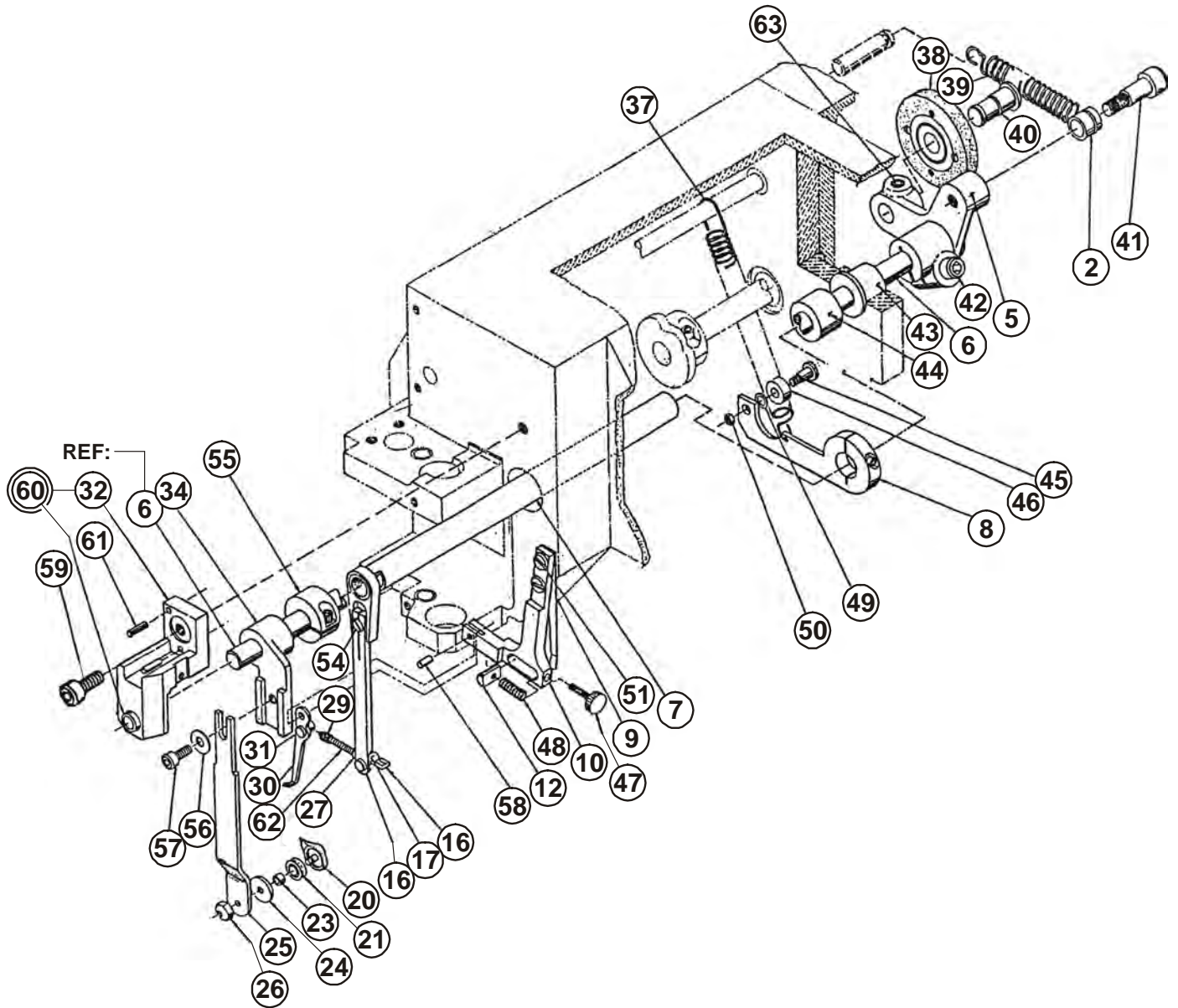
e-mail: service@amfreece.cz; parts@amfreece.cz; website: www.amfreece.com

Phone: +420 582 309 246; Fax: +420 582 360 606

ANGLE STITCH MECHANISM



UPPER LOOPER



Released 06/2010

e-mail: service@amfreece.cz; parts@amfreece.cz; website: www.amfreece.com

Phone: +420 582 309 286; Fax: +420 582 360 606

UPPER LOOPER

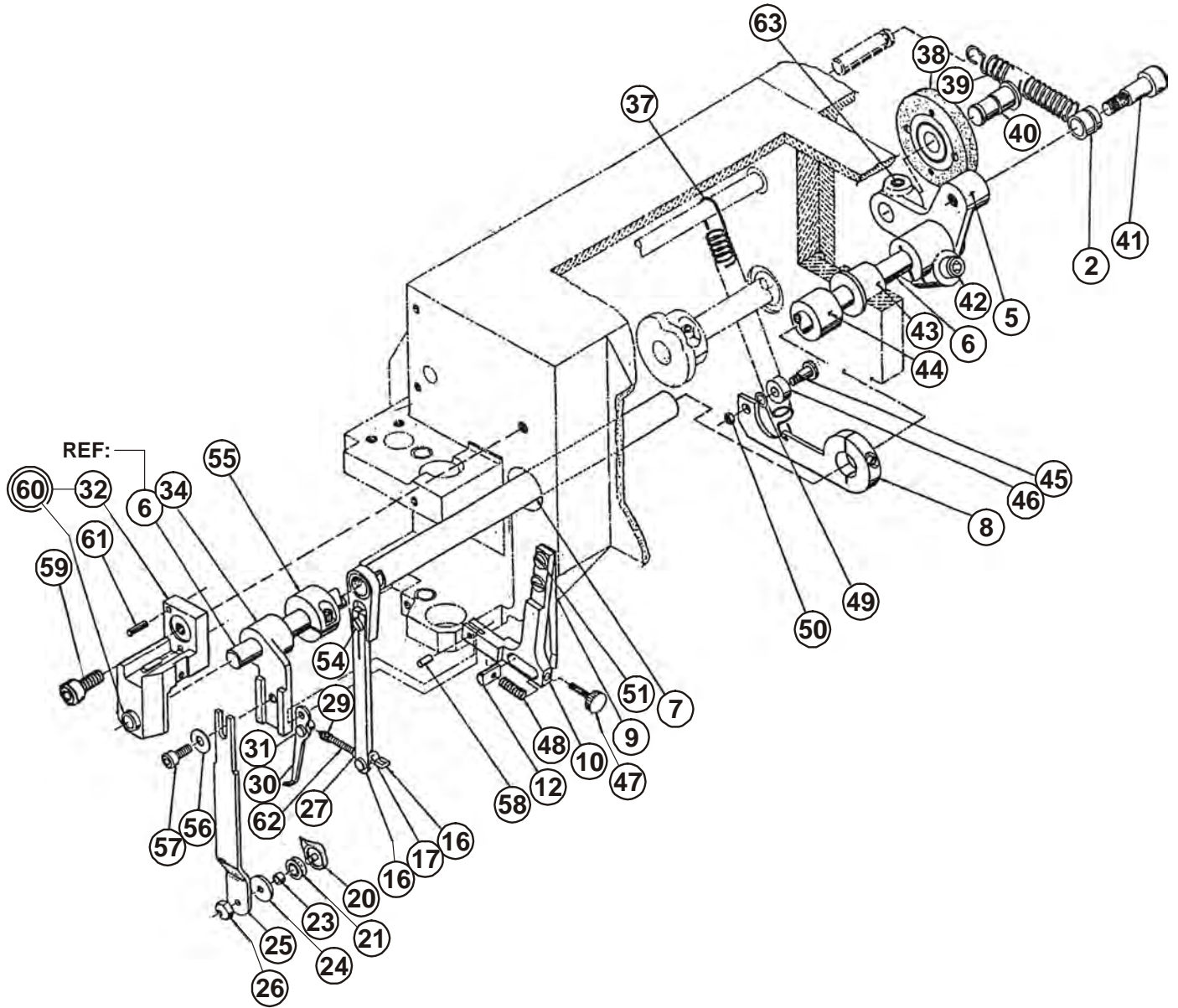
DET	PART NUMBER	DESCRIPTION	QTY
01			
02	31722031	Sleeve	1
03	70.3126.8.002	Looper Arm Shaft Assembly	1
04	08.6400.4.005	Pin	1
05	36691024	Cam Lever	1
06	31268001	Left Upper Looper Arm Shaft	1
07	70.3676.1.032	Ass'y., Top Right Looper Shaft	1
08	70.3661.3.100	Ass'y., Right Upper Looper Cam Lever	1
09	34378066	Knob Stop	1
10	33251105	Finger Support	1
11	70.3165.1.019		
12	31211015	Arm Stop	1
13			
14			
15			
16	31955003	Pusher Rod	1
17	31644003	Bearing Stud	1
18	32542111	Pusher Rod Arm	1
19			
20	37231028	Upper Looper Knife	1
21	36341035	Looper Roller	1
22			
23	31413002	Stud Spacer	1
24	70.3149.1.001	Left Looper Roller Seat	1
25	70.3662.5.002	Left Upper Looper Arm	1
26	31815017	Left Upper Looper Nut	1
27	31413001	Finger Pusher Rod Collar	1
28			
29	31593001	Adj.Nut	1
30	37211045	Right Looper Finger	1
31	31613035	Rod Support	1
32	35521118	Bearing Bracket	1
33			
34	35511040	Left Upper Looper Bracket	1
35			
36			
37	36546022	Spring	1
38	42241009	Cam Roller Assembly	1
39	12.3011.0.006	Cam Lever Spring	1
40	31741013	Cam Roller	1
41	01300037	Scr., Shldr. Hex. Soc.# 5/16 Dia x 5/8 Lg.	1
42	01000093	Scr., Hex. Soc. Hd.Cap.# 1/4 - 20 x 3/4	1
43	23132178	Bearing "Oilite"# AA -630 -1	1
44			
45	01300029	Scr.Shldr. Hex. Soc. Hd.# 1/4 Dia x 1/4 Lg.	1
46	23231045	Bearing "New Depart"# 77 R 4	1
47	70.3121.1.016	Knurled Knob Scr." Shearloc" # 8 - 32 x 1.0 Gy	1
48	24971056	Spring, Comp., "Lee" # LC - 032 C - 8	1
49	07106001	Washer, Lock Hi Collar # 1/4	1
50	06220001	Nut, Flex Loc.Hex. # 21 FK - 1024	1

Released 06/2010

e-mail: service@amfreece.cz; parts@amfreece.cz; website: www.amfreece.com

Phone: +420 582 309 246; Fax: +420 582 360 606

UPPER LOOPER

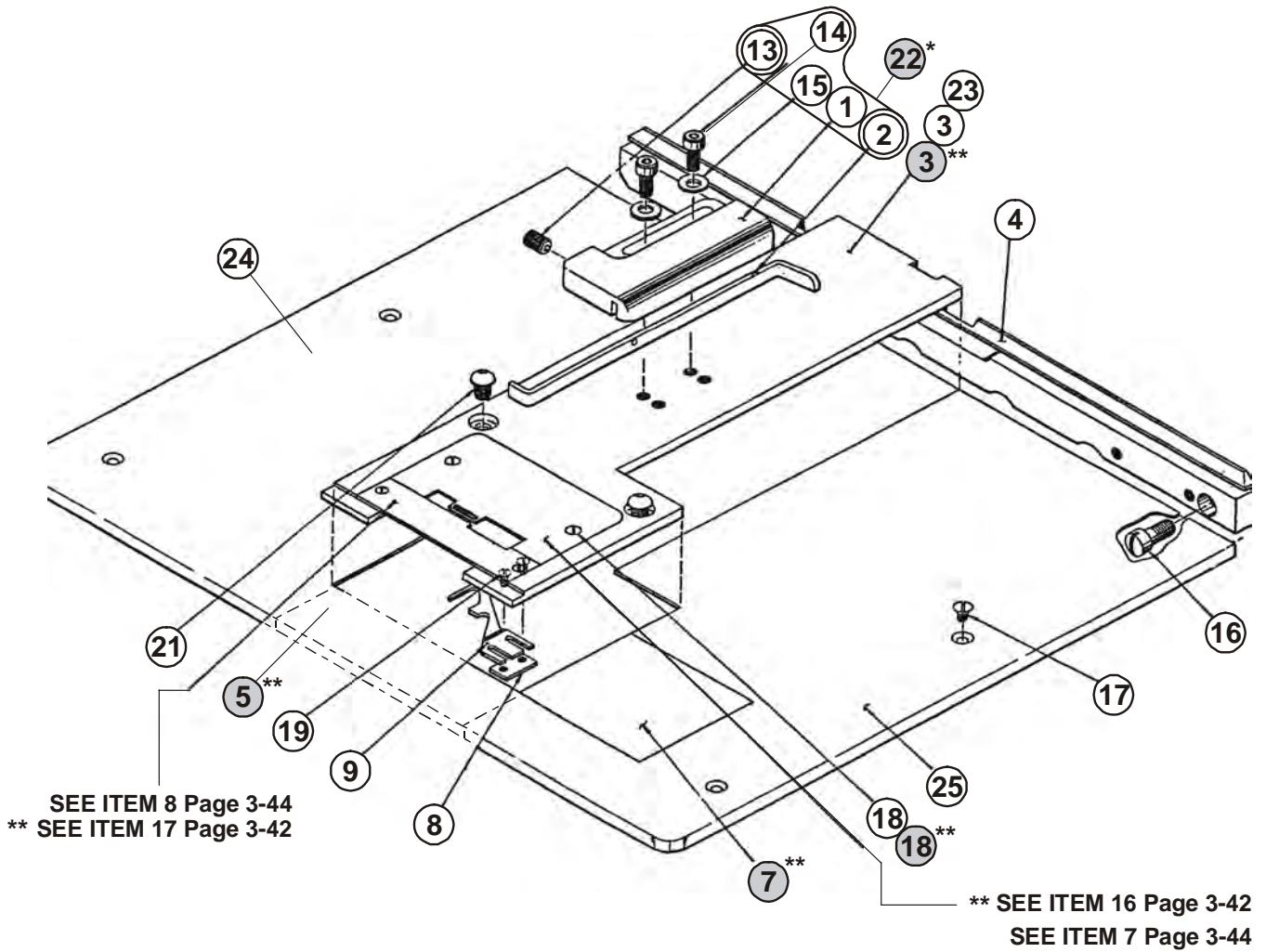


Released 06/2010

e-mail: service@amfreece.cz; parts@amfreece.cz; website: www.amfreece.com

Phone: +420 582 309 286; Fax: +420 582 360 606

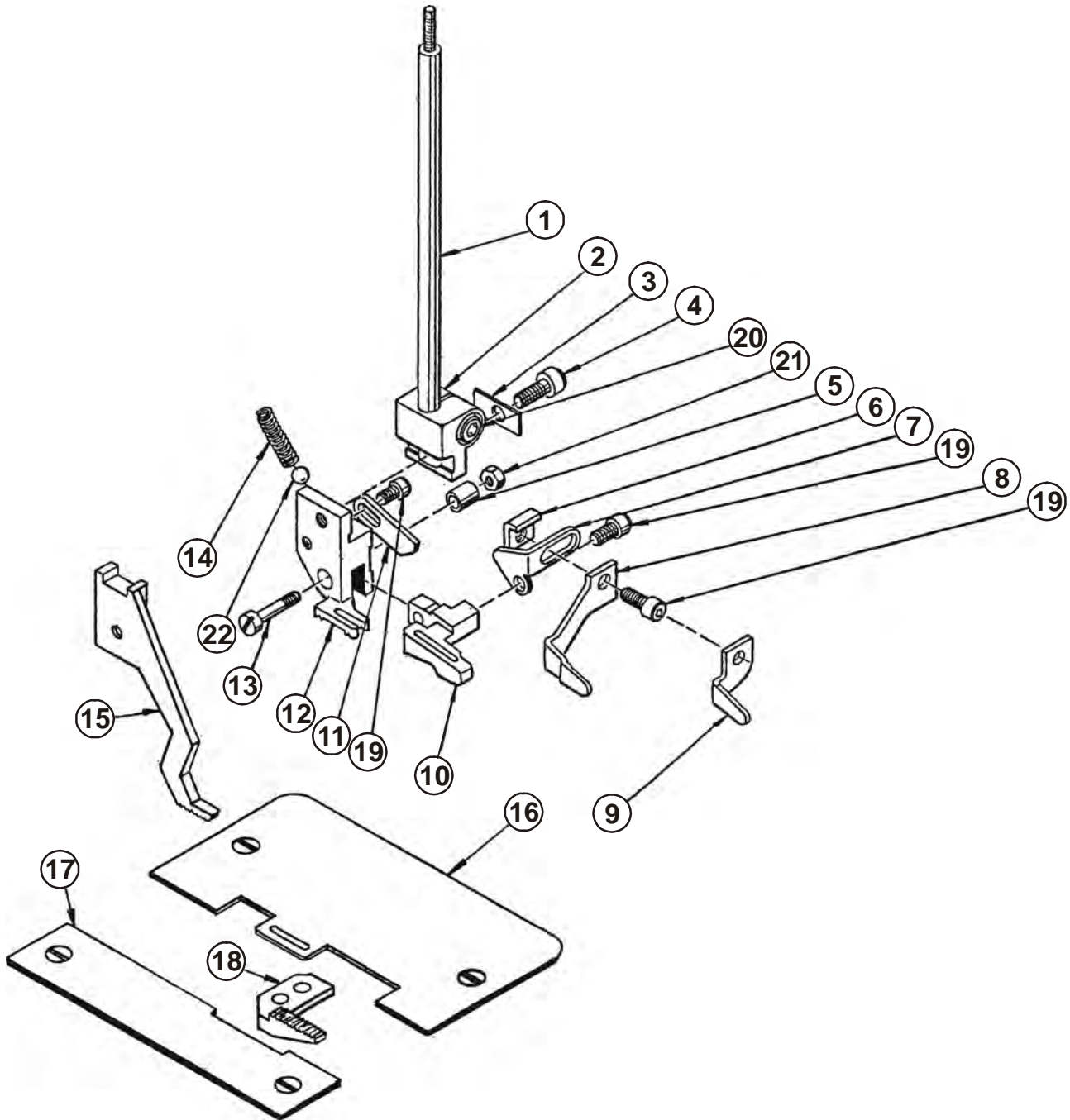
WORK PLATE ASSEMBLY



* EXTRA PARTS

** PICK STITCH

PRESSER FOOT & SWIVEL TOE ASSEMBLY - PICK STITCH

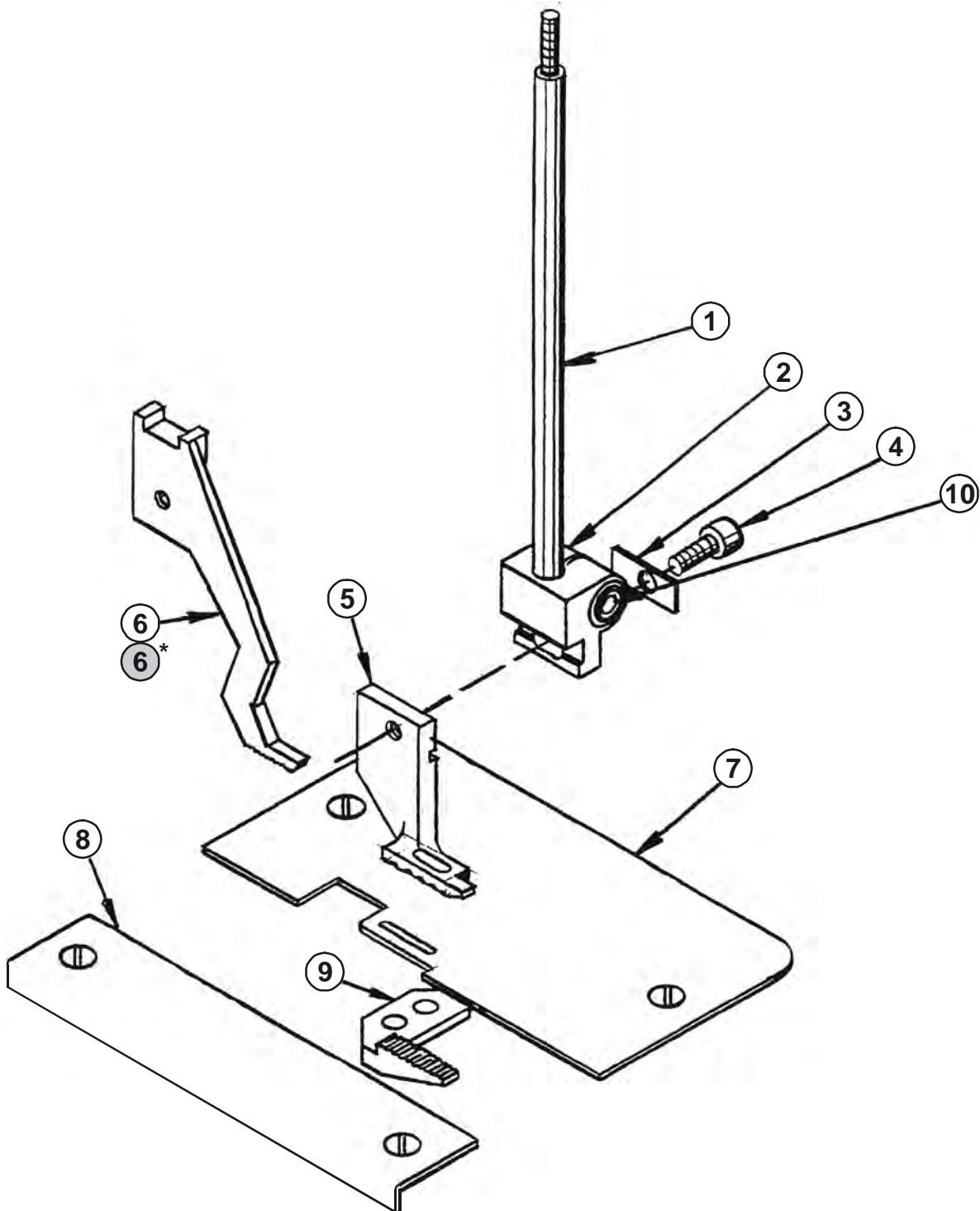


Released 06/2010

e-mail: service@amfreece.cz; parts@amfreece.cz; website: www.amfreece.com

Phone: +420 582 309 286; Fax: +420 582 360 606

PRESSER FOOT

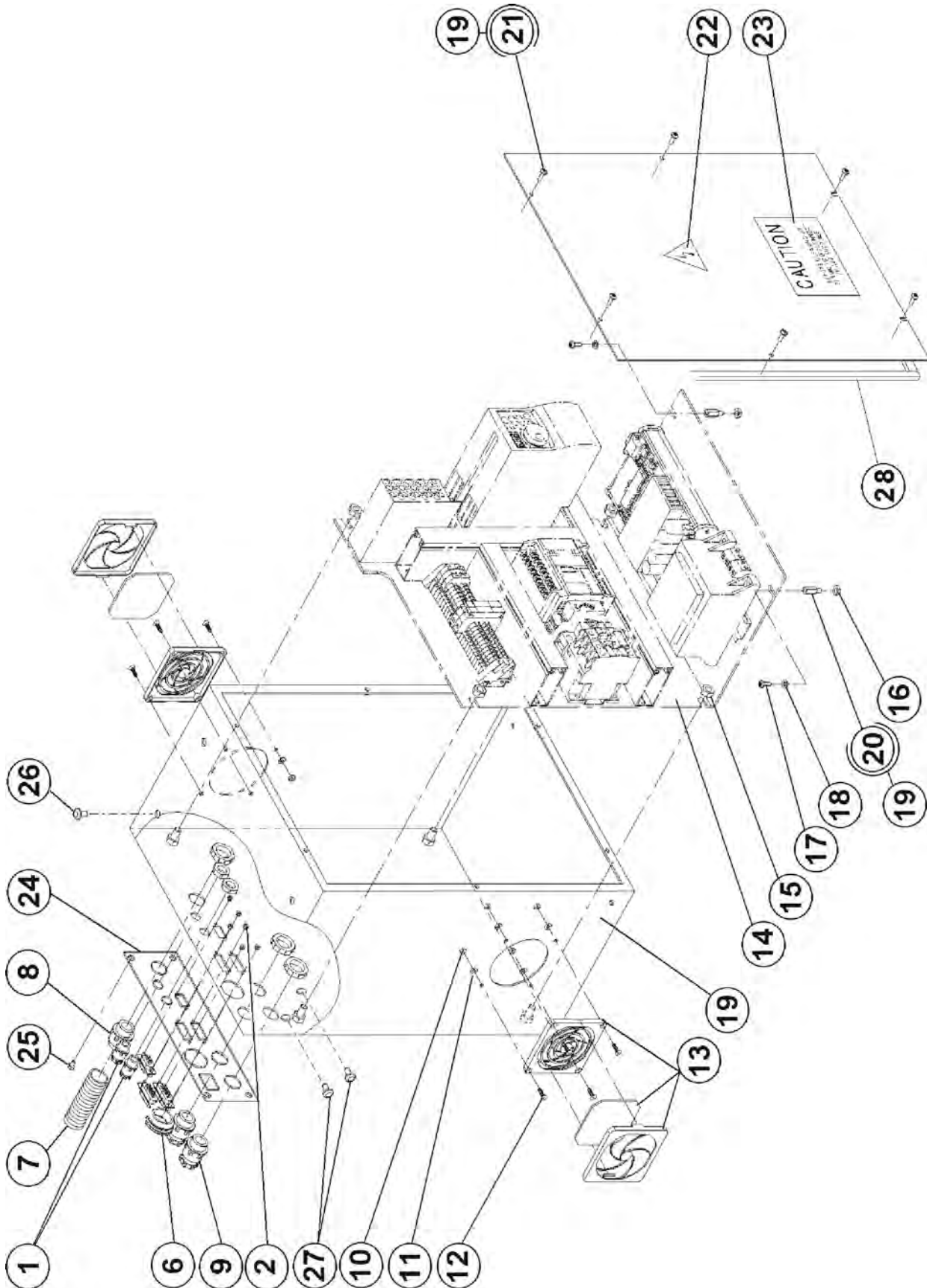


Released 06/2010

e-mail: service@amfreece.cz; parts@amfreece.cz; website: www.amfreece.com

Phone: +420 582 309 286; Fax: +420 582 360 606

ELECTRICAL - I

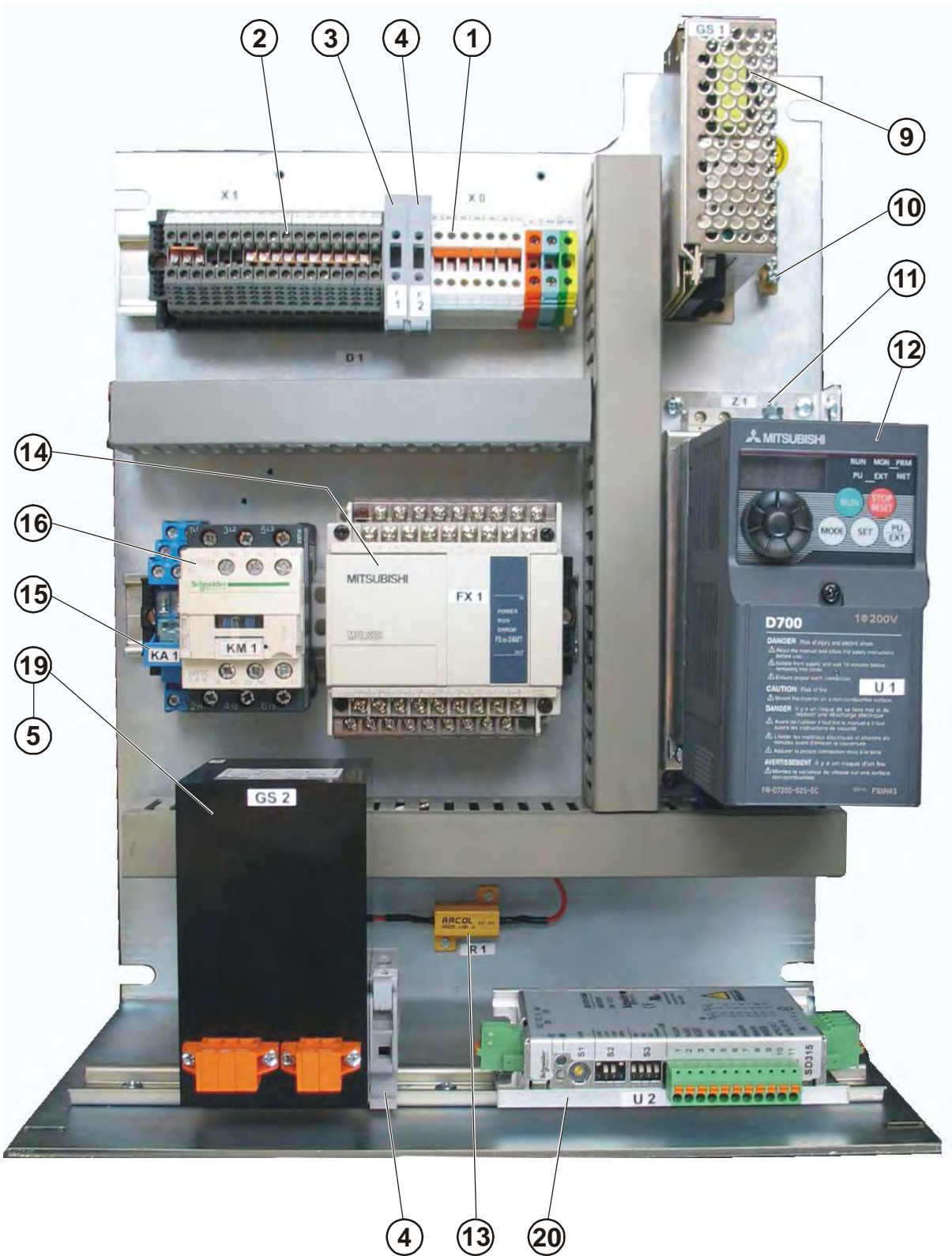


Released 06/2010

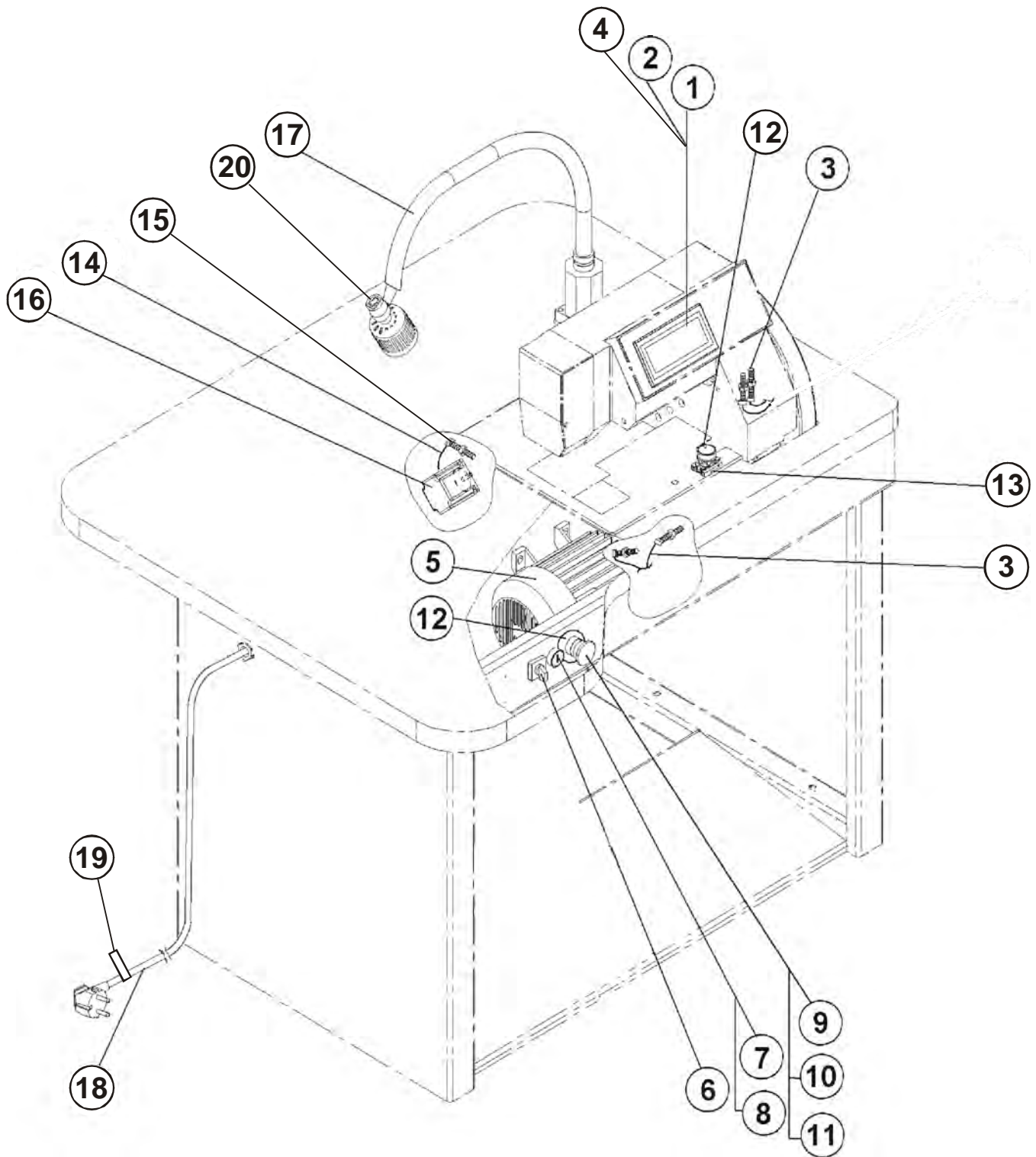
e-mail: service@amfreece.cz; parts@amfreece.cz; website: www.amfreece.com

Phone: +420 582 309 286; Fax: +420 582 360 606

ELECTRICAL - II



ELECTRICAL - III

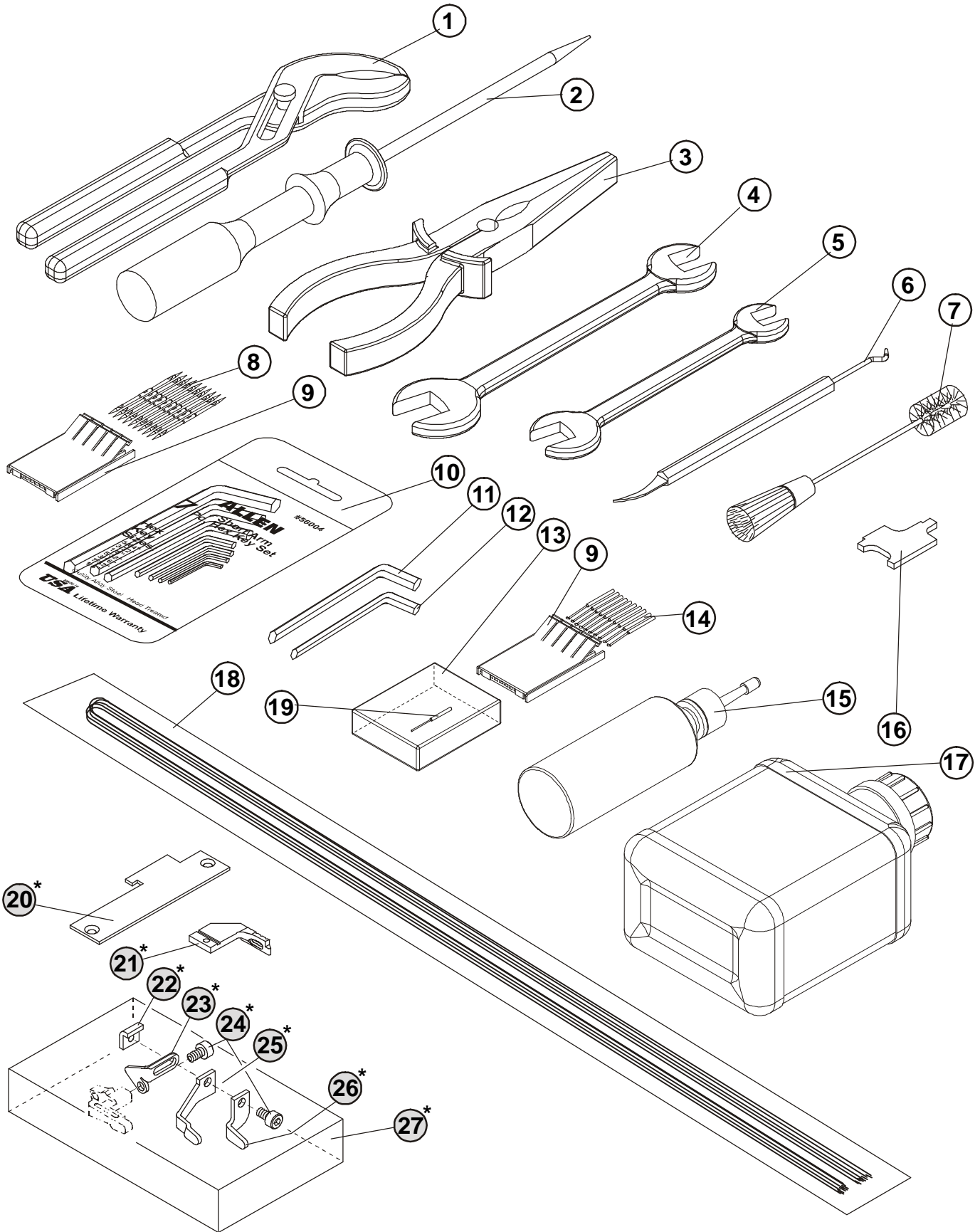


Released 06/2010

e-mail: service@amfreece.cz; parts@amfreece.cz; website: www.amfreece.com

Phone: +420 582 309 286; Fax: +420 582 360 606

ACCESSORIES

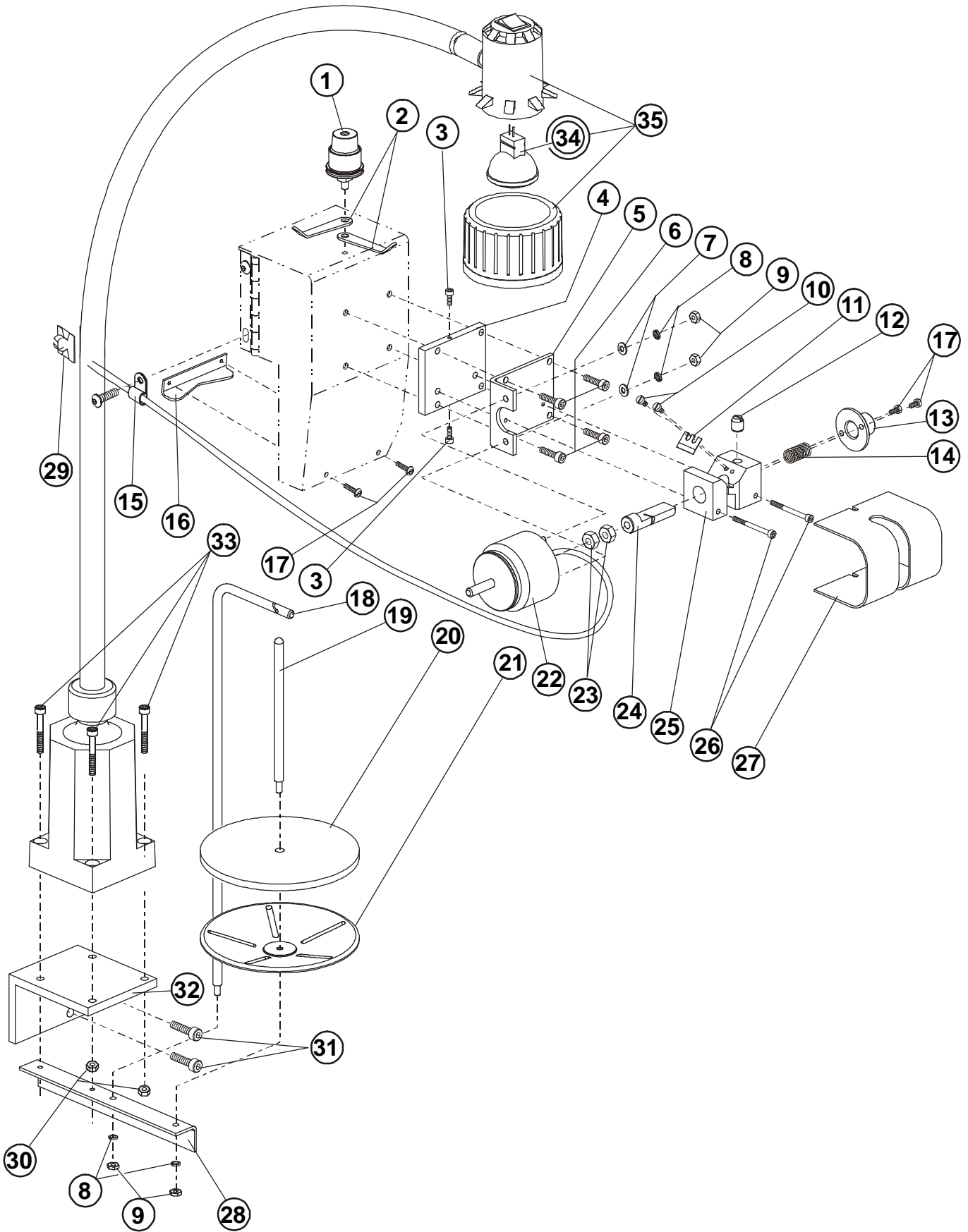


Released 06/2010

e-mail: service@amfreece.cz; parts@amfreece.cz; website: www.amfreece.com

Phone: +420 582 309 286; Fax: +420 582 360 606

THREAD TRIM



THREAD TRIM

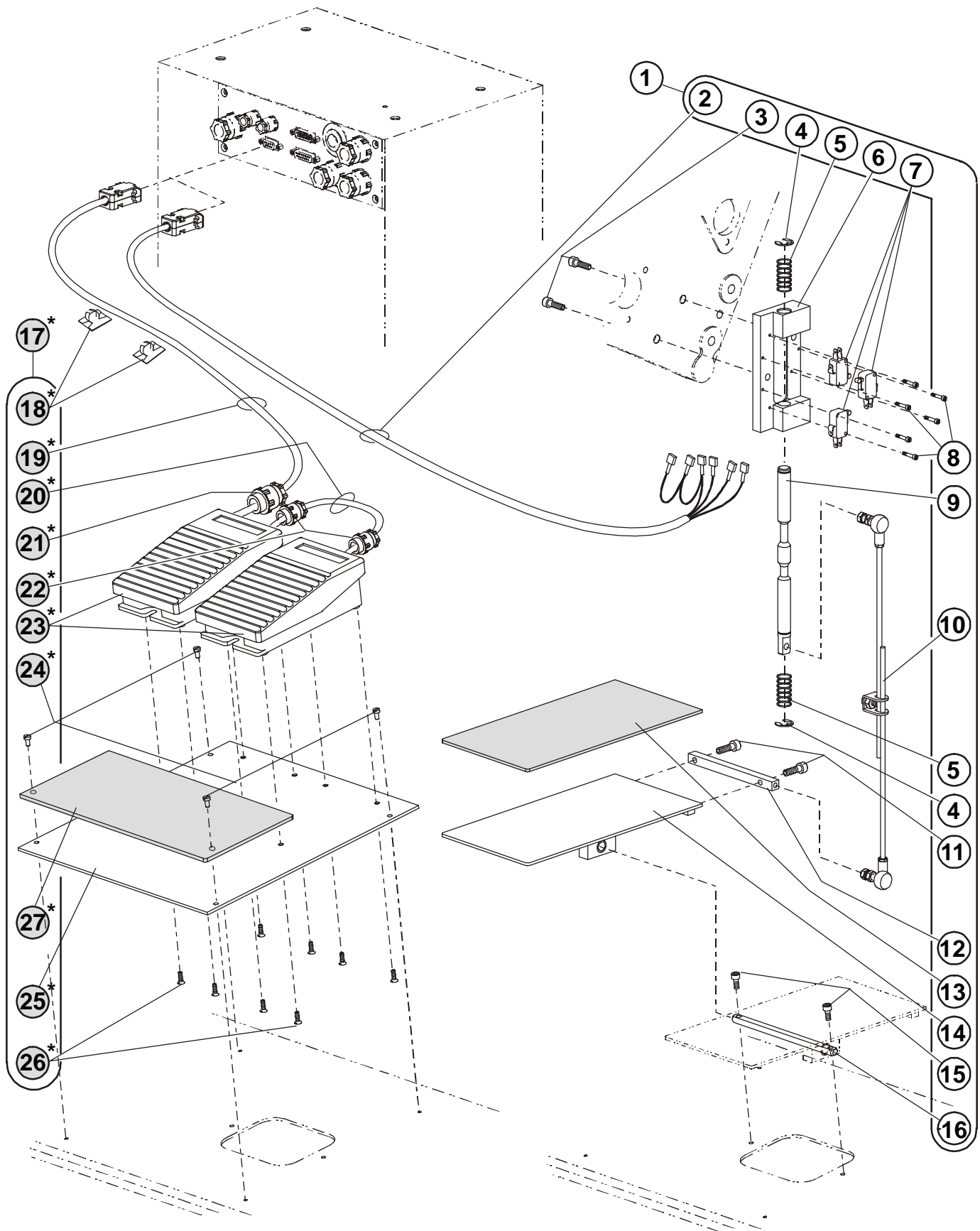
DET	PART NUMBER	DESCRIPTION	QTY
01	23.2044.0.050	Large Tension Assembly	1
02	70.3288.2.101	Thread Guide	2
03	08.6000.3.008	Screw M3x8	2
04	70.3288.2.401	Plate	1
05	70.3288.3.601	Solenoid Holder	1
06	08.6000.4.015	Screw M4x15	4
07	08.6852.4.000	Washer 4,3	2
08	08.6802.4.000	Spring Washer 4,1	4
09	08.6702.4.000	Nut M4	4
10	08.6012.3.006	Screw	2
11	39.0087.0.000	Blade	1
12	19.0011.1.400	Screw M8x1-10	1
13	70.3284.4.101	Flange	1
14	12.3010.0.013	Spring	1
15	12.0008.4.280	Plasting Cable Fitting	1
16	70.3288.2.102	Thread Guide	1
17	08.6200.3.008	Screw M3x8	4
18	70.3288.2.103	Thread Guide	1
19	17.0031.3.277	Pin	1
20	17.0095.3.042	Washer Pad ●●●	1
21	17.0083.9.031	Plate	1
22	70.4165.1.129	Solenoid DC	1
23	08.6710.6.000	Nut M6	2
24	70.3283.2.601	Cutting Bar	1
25	70.3286.4.501	Block	1
26	08.6000.3.025	Screw M3x25	2
27	70.3288.2.104	Cover	1
28	70.3288.3.602	Holder	1
29	12.0008.4.862	Clips - Metal	3
30	08.6702.4.000	Nut M4	2
31	01200028	Screw 1/4 - 20 x 3/4	2
32	31852010	Alex Light Holder ●	1
33	08.6000.4.025	Screw M4x25	4
34	12.0008.4.403	Halogen Lamp Kit	1
35	12.0008.4.679	Bulb 12V/12W	(1)

Released 06/2010

e-mail: service@amfreece.cz; parts@amfreece.cz; website: www.amfreece.com

Phone: +420 582 309 246; Fax: +420 582 360 606

FOOT PEDAL

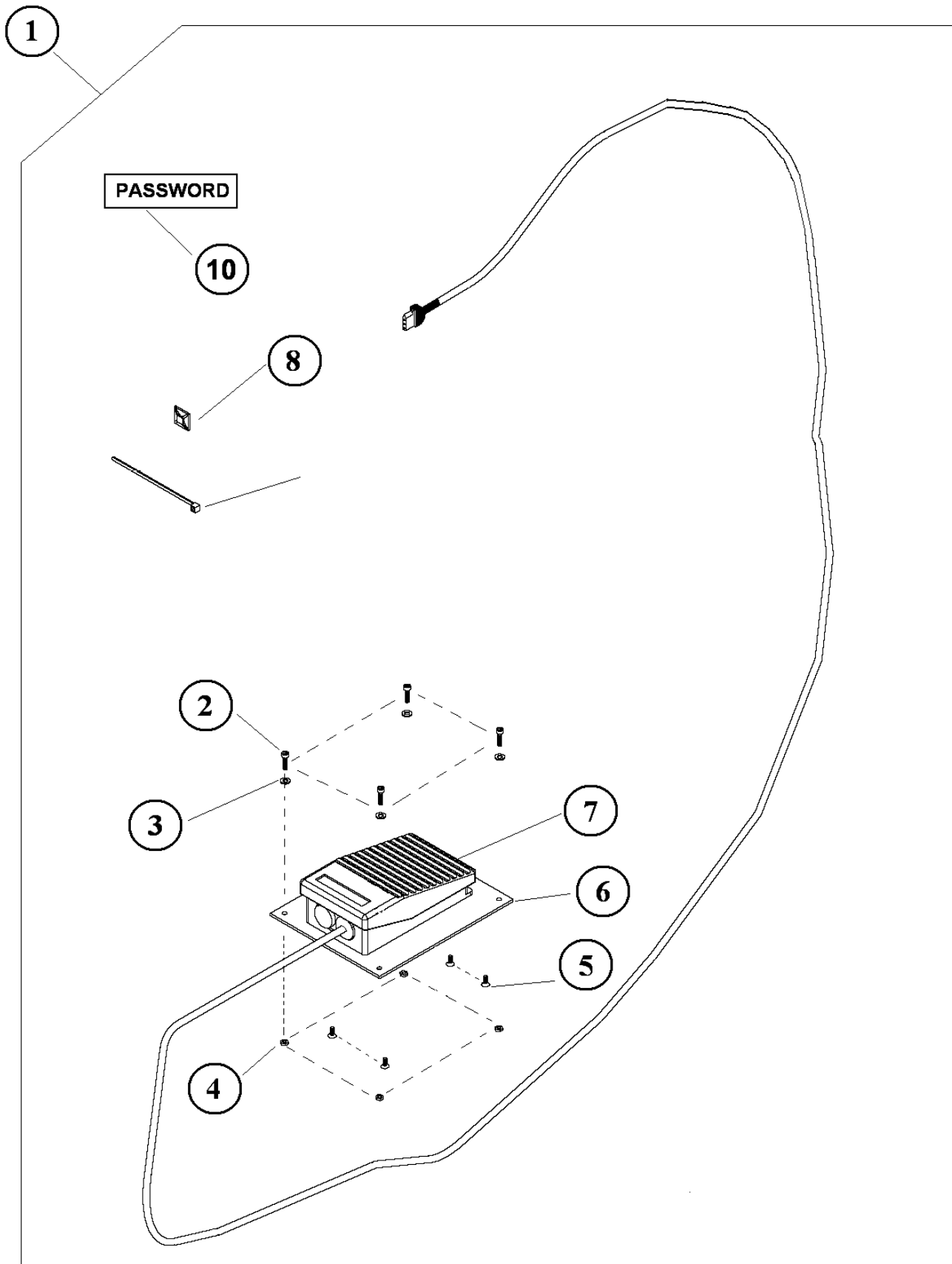


Released 06/2010

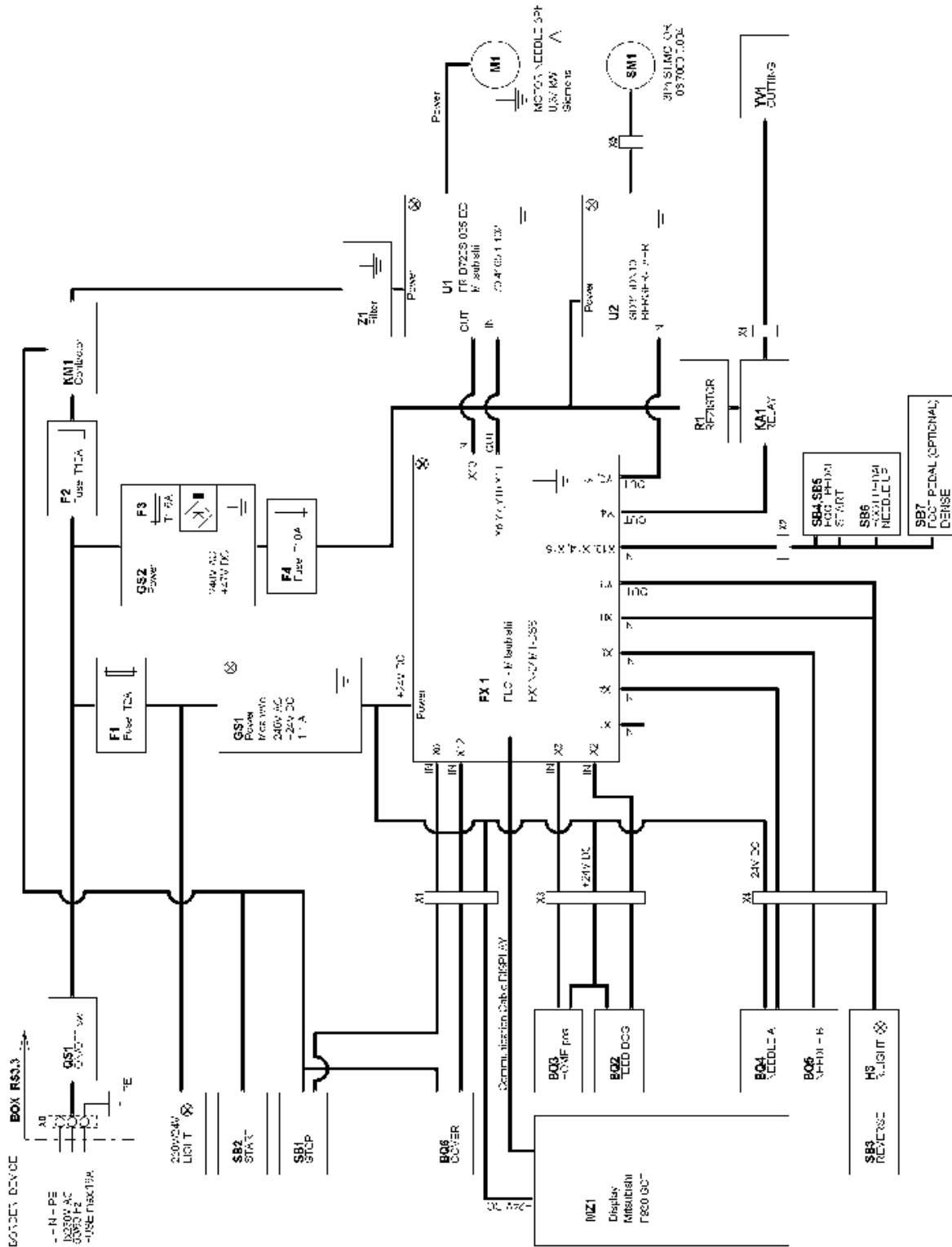
e-mail: service@amfreece.cz; parts@amfreece.cz; website: www.amfreece.com

Phone: +420 582 309 286; Fax: +420 582 360 606

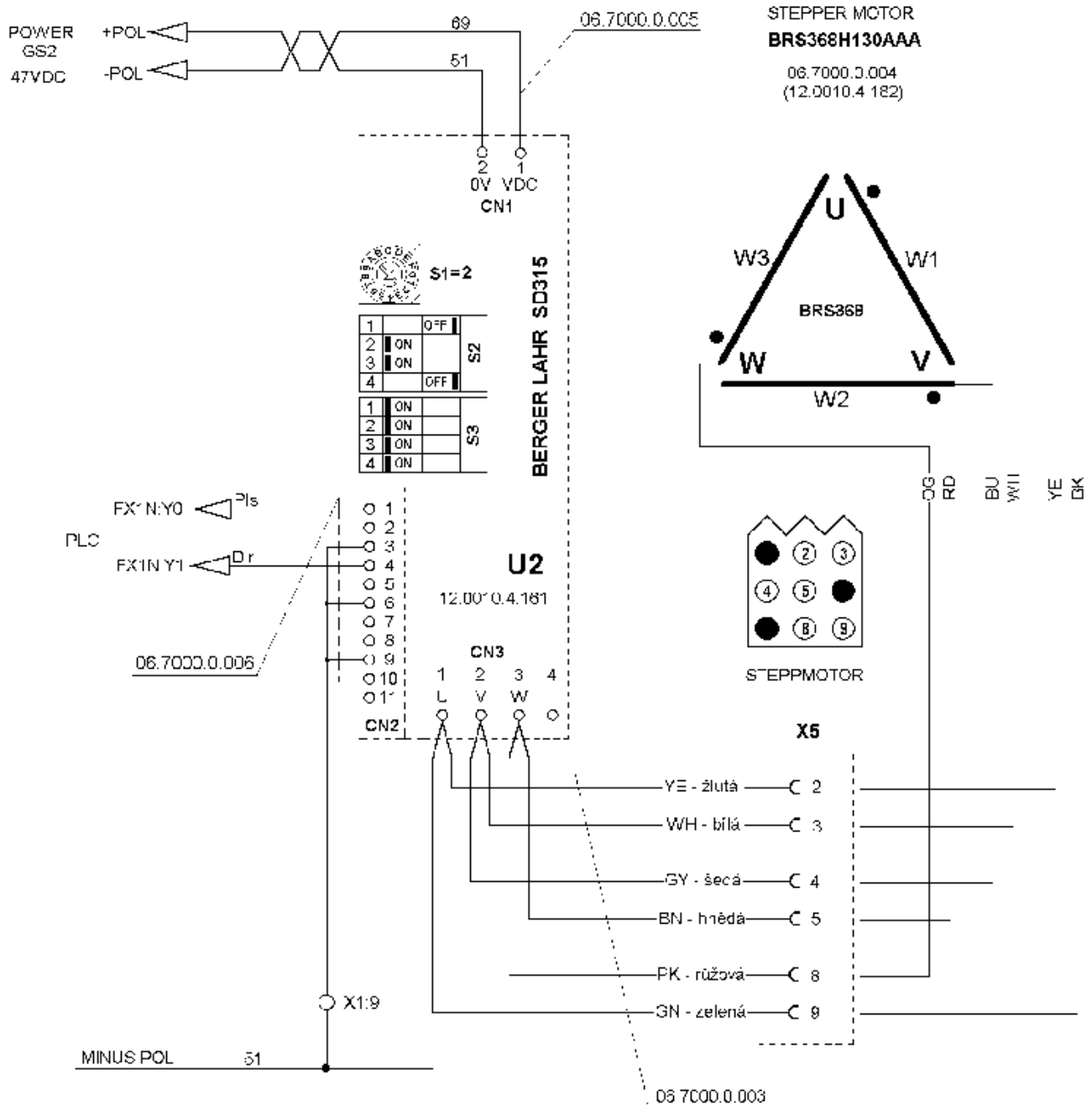
CONDENSED STITCH KIT



ELECTRICAL DIAGRAM



ELECTRICAL DIAGRAM



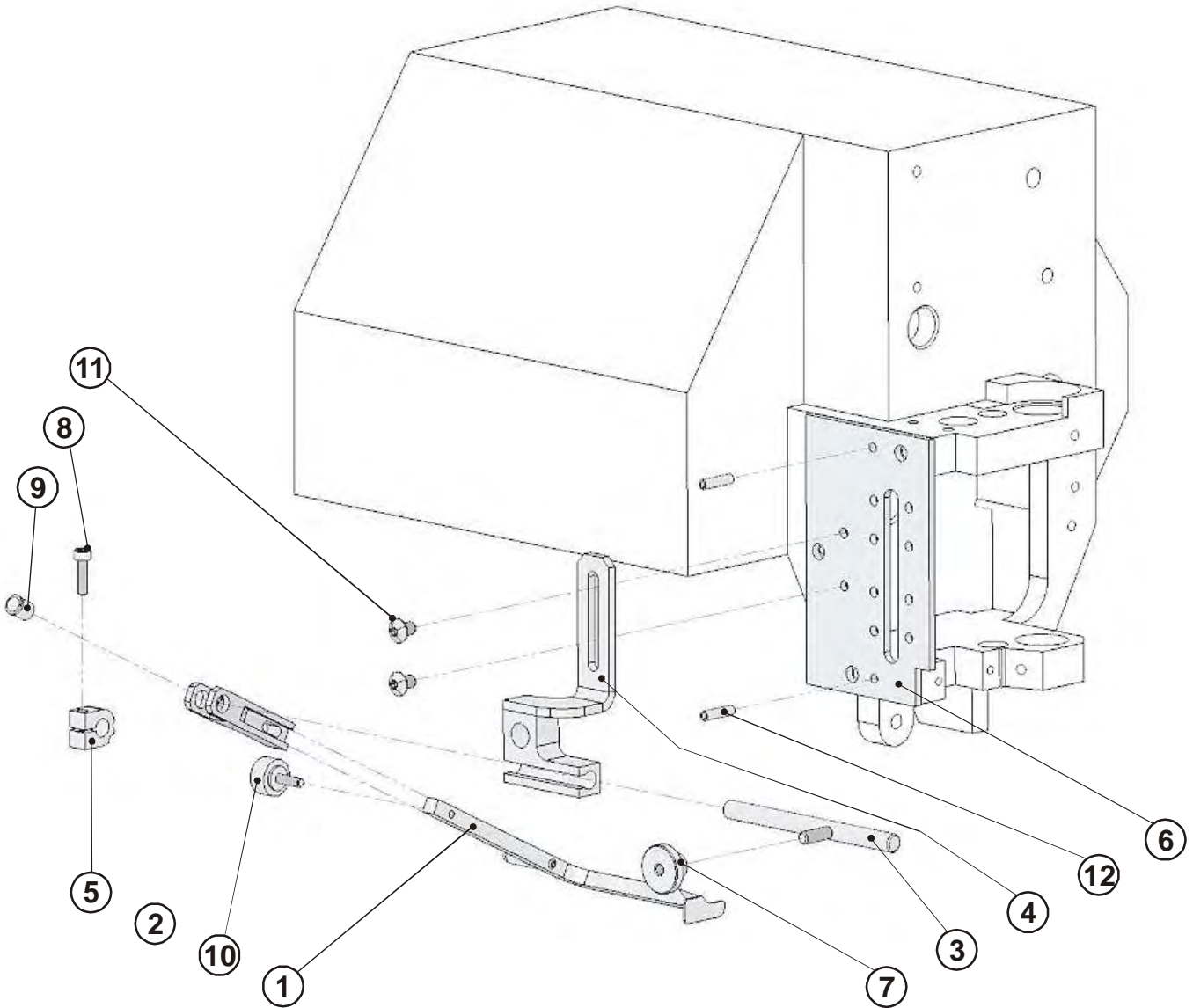
DECO M - driver U2 BACK TACK

Released 06/2010

e-mail: service@amfreece.cz; parts@amfreece.cz; website: www.amfreece.com

Phone: +420 582 309 246; Fax: +420 582 360 606

MATERIAL GAUGE



INDEX

PART NUMBER	PAGE	DET	QTY	PART NUMBER	PAGE	DET	QTY	PART NUMBER	PAGE	DET	QTY
00103228				01000301	3-11	73	1	03101038	3-25	50	1
00103228	3-9	20*	1*	01000301	3-43	04	1	03102026	3-25	45	1
00103228	3-15	08*	1	01000301	3-45	04	1	03102026	3-31	85	1
00103238	3-9	20	1	01002014	3-37	57	1	03130001	3-9	49	2
00103238	3-15	08	1	01002015	3-17	71	1	03130001	3-15	41	2
00103238	3-53	08	11	01002015	3-25	43	2	03140003	3-23	74	1
00103249	3-9	20**	1**	01002040	3-7	31	1	03140005	3-35	27	1
00103249	3-15	08**	1	01002106	3-15	40	1	03140006	3-37	63	1
								03200023	3-7	33	1
01000002				01200001				04000020			
01000002	3-17	93	2	01200001	3-7	28	2	04000020	3-17	74	2
01000002	3-23	65	2	01200005	3-7	22	2	04000053	3-11	70	1
01000002	3-43	20	1	01200007	3-9	39	1	04000190	3-37	54	1
01000002	3-45	10	1	01200011	3-17	72	2	04002086	3-41	18**	(4)
01000004	3-11	74	2	01200011	3-17	89	2	04002087	3-41	19	2
01000004	3-43	19	3	01200011	3-63	11	2	04002109	3-41	17	4
01000005	3-25	39	1	01200019	3-17	81	1				
01000005	3-29	39	1	01200024	3-3	21	3	04100011			
01000008	3-11	62	3	01200024	3-3	39	2	04100011	3-17	61	1
01000013	3-9	48	1	01200028	3-55	31	2	04100052	3-3	52	2
01000013	3-11	77	1	01200031	3-41	21	2	04100053	3-17	62	4
01000013	3-15	44	1	01200083	3-7	38	1	04100054	3-7	21	2
01000013	3-31	73	2	01300029	3-37	45	1	04100054	3-11	81	2
01000017	3-31	75	1	01300037	3-37	41	1	04100054	3-23	83	1
01000019	3-31	53	1					04100054	3-37	51	2
01000019	3-57	11	(2)	02060018				04100070	3-11	50	1
01000025	3-35	34	1	02060018	3-3	33	12	04120001	3-11	75	1
01000026	3-17	53	4					04120001	3-25	55	2
01000026	3-31	79	1	03100002				04120001	3-29	55	2
01000027	3-25	49	1	03100002	3-35	21	1	04120002	3-25	35	1
01000032	3-41	14	(2)	03100008	3-9	42	1	04120002	3-29	35	1
01000032	3-11	79	3	03100008	3-25	59	1	04120002	3-29	35	1
01000032	3-35	29	2	03100008	3-29	59	1	04120004	3-25	58	1
01000037	3-23	69	2	03100012	3-11	63	1	04120004	3-29	58	1
01000037	3-37	59	1	03100012	3-17	80	1	04120005	3-17	65	2
01000039	3-9	44	3	03100012	3-21	17	2	04120009	3-11	78	1
01000039	3-15	35	5	03100012	3-23	67	1	04120012	3-25	54	1
01000047	3-3	23	2	03100012	3-31	57	1	04120012	3-29	54	1
01000047	3-23	60	2	03100013	3-17	55	1	04120070	3-41	16	2
01000047	3-25	42	1	03100013	3-31	49	2	04122093	3-11	80	8
01000047	3-29	42	1	03100017	3-11	65	1	04140040	3-3	36	6
01000056	3-31	84	4	03100038	3-25	53	1				
01000058	3-25	32	1	03100038	3-29	53	1	04200003			
01000058	3-29	32	1	03100051	3-31	52	3	04200003	3-3	30	6
01000059	3-11	68	1	03100066	3-15	32	2	04200003	3-7	27	4
01000059	3-31	56	1	03100066	3-23	70	2	04200004	3-3	43	5
01000059	3-53	24*	2	03100147	3-25	56	1	04200007	3-11	55	1
01000093	3-37	42	1	03100147	3-29	56	1	04200011	3-9	35	1
01000099	3-7	29	1	03100154	3-25	44	2	04200011	3-31	64	1
01000298	3-9	40	1	03100154	3-29	44	1	04200012	3-7	36	1

Released 06/2010

e-mail: service@amfreece.cz; parts@amfreece.cz; website: www.amfreece.com

Phone: +420 582 309 246; Fax: +420 582 360 606

INDEX

PART NUMBER	PAGE	DET	QTY	PART NUMBER	PAGE	DET	QTY	PART NUMBER	PAGE	DET	QTY
04200012	3-17	85	1	07012001	3-35	30	2	09020001	3-17	51	1
04200013	3-7	35	1	07012002	3-23	68	2	09020001	3-21	15	2
04200027	3-3	41	2	07012002	3-35	22	1	09020001	3-31	66	1
04200027	3-17	56	11+(1)	07012003	3-3	32	6				
04200030	3-31	50	1	07012003	3-31	82	1	22911037			
04200031	3-17	59	3	07012004	3-25	52	1	22911037	3-21	19	2
04200039	3-11	76	1	07012005	3-23	61	2	22911038	3-3	34	1
04200039	3-25	48	1	07012005	3-37	56	1	22912058	3-21	23	2
04200046	3-31	80	1	07012010	3-17	75	3+(1)	22912066	3-17	76	1
04200051	3-17	79	4	07016002	3-25	57	2	22912090	3-31	67	2
04200057	3-7	26	1	07016002	3-29	57	2	22914003	3-17	68	3
04200267	3-7	37	1	07100009	3-3	31	4	22965005	3-43	22	1
04202013	3-17	63	2	07100009	3-7	39	1	22965006	3-9	37	2
				07100009	3-31	81	1	22965006	3-15	45	2
06000002				07100011	3-31	54	2	22966116	3-41	13	(1)
06000002	3-11	72	4	07102006	3-35	35	1	22967003	3-17	67	1
06000002	3-17	82	1	07102007	3-17	94	2	22972010	3-3	29	1
06000002	3-23	58	2	07102007	3-23	62	2	22979047	3-53	12	1
06000002	3-23	58	2	07102007	3-25	41	1	22979048	3-53	11	1
06000002	3-31	63	1	07102007	3-29	41	1	22979050	3-53	10	1
06000003	3-29	33	1	07106001	3-37	49	1				
06000004	3-17	64	3	07106002	3-9	36	1	23132030			
06000005	3-31	65	1					23132030	3-9	41	(2)
06000014	3-3	59	2	08000007				23132056	3-23	91	(2)
06000014	3-31	74	2	08000007	3-23	80	1	23132115	3-35	32	(1)
06000020	3-43	21	1	08000007	3-31	40	1	23132122	3-31	61	3
06002001	3-9	43	1	08000015	3-25	31	1	23132123	3-11	54	2
06002001	3-15	46	1	08000015	3-29	31	1	23132142	3-23	72	2
06020004	3-31	58	1	08000015	3-35	26	1	23132155	3-31	78	(1)
06020015	3-3	22	3	08000016	3-17	69	4	23132165	3-37	60	(1)
06020019	3-9	50	2	08000017	3-37	58	1	23132178	3-11	56	1
06020019	3-15	43	2	08000018	3-37	61	2	23132178	3-37	43	1
06020019	3-17	73	4	08000019	3-3	42	4	23132199	3-11	57	1
06020019	3-17	90	2	08000022	3-17	78	2	23132297	3-11	71	1
06020021	3-31	59	1	08000044	3-23	56	2	23161008	3-31	83	(2)
06030014	3-17	58	1	08000044	3-25	40	2	23161048	3-31	70	(1)
06104001	3-9	46	1	08000044	3-29	40	1	23161063	3-7	34	1
06104001	3-15	34	1	08000044	3-31	71	1	23161073	3-17	66	1
06124010	3-35	31	2	08000109	3-23	57	1	23161073	3-31	51	(6)
06130002	3-35	28	2	08000110	3-23	73	1	23161095	3-17	77	(2)
06220001	3-37	50	1	08002028	3-15	37	1	23161140	3-7	24	2
								23181235	3-31	76	1
07002002				08200024				23231030	3-15	33	1
07002002	3-25	51	2	08200024	3-3	40	2	23231030	3-9	45	(1)
07002009	3-17	57	1	08200025	3-63	12	2	23231040	3-25	37	1
07012001	3-41	15	(2)	08200031	3-7	23	1	23231040	3-29	37	1
07012001	3-21	20	2	08322001	3-35	24	1	23231040	3-35	25	1
07012001	3-25	36	2	08504001	3-25	34	2	23231045	3-31	23	1
07012001	3-29	36	1	08504001	3-29	34	2	23231045	3-37	46	1
07012001	3-31	55	2	09020001	3-11	59	1	23231210	3-17	54	1

Released 06/2010

e-mail: service@amfreece.cz; parts@amfreece.cz; website: www.amfreece.com

Phone: +420 582 309 286; Fax: +420 582 360 606

INDEX

PART NUMBER	PAGE	DET	QTY	PART NUMBER	PAGE	DET	QTY	PART NUMBER	PAGE	DET	QTY
23231217	3-17	52	2	31151001	3-15	14	1	31612051	3-17	20	1
23231226	3-25	38	2	31211015	3-37	12	1	31612052	3-31	19	1
23231226	3-29	38	2	31215002	3-31	15	1	31612054	3-31	60	1
23522009	3-3	60	1	31215008	3-23	28	1	31613007	3-35	03	1
23914009	3-17	60	1	31215012	3-25	20	1	31613035	3-37	31	1
				31215079	3-31	41	1				
24116020				31217001	3-31	07	1	31641010			
24116020	3-9	38	1	31225015	3-57	16	(1)	31641010	3-23	29	1
24116150	3-7	25	1	31264001	3-9	25	1	31641015	3-23	13	1
24117010	3-37	55	1	31264001	3-15	12	3	31641017	3-35	36	1
24117012	3-21	21	1	31268001	3-37	06	1	31641019	3-23	14	1
24117012	3-31	62	1	31283001	3-35	09	1	31642007	3-11	34	1
24117014	3-11	60	1	31288023	3-23	25	3	31644003	3-37	17	1
24117216	3-35	20	1	31288023	3-31	17	2	31644004	3-31	37	1
24323130	3-3	63	1	31288023	3-35	13	1	31652001	3-7	13	1
24381054	3-31	92	1					31674025	3-9	01	1
24383030	3-3	73	1	31412001				31674025	3-15	26	1
24423030	3-3	64	1	31412001	3-9	32	1	31685012	3-43	13	1
24473075	3-3	72	1	31412001	3-15	24	1	31695011	3-9	02	1
24971021	3-37	62	1	31413001	3-37	27	1	31695011	3-15	27	1
24971056	3-37	48	1	31413002	3-37	23	1	31697003	3-9	29	1
				31413003	3-43	05	1	31697003	3-15	10	1
25379218				31413029	3-23	51	2				
25379218	3-23	63	1	31413030	3-17	19	1	31715005			
25379273	3-35	33	1	31413031	3-23	07	1	31715005	3-17	03	1
				31421005	3-31	24	1	31718025	3-17	18	1
26913004				31423006	3-11	83	2	31718027	3-11	32	1
26913004	3-53	01	1	31423032	3-17	84	1	31721022	3-25	18	1
26913020	3-53	02	1	31423068	3-23	21	1	31721038	3-11	18	1
26913025	3-11	66	1	31426015	3-25	10	1	31721038	3-35	12	1
27571120	3-3	37	1	31426015	3-29	10	1	31721039	3-9	47	1
				31464002	3-17	02	1	31721039	3-31	25	1
								31721040	3-11	15	1
31000006				31511015				31721041	3-37	64	1
31000006	3-31	36	1	31511015	3-31	22	1	31721053	3-17	24	1
31000008	3-21	04	1	31521001	3-11	29	1	31721054	3-17	26	1
31000009	3-25	11	1	31523037	3-7	03	1	31722031	3-37	02	1
31000009	3-29	11	1	31566008	3-9	07	1	31723007	3-9	09	1
31000018	3-31	44	1	31566008	3-15	18	1	31723007	3-15	05	1
31000030	3-3	101	1	31571002	3-11	22	1	31728003	3-31	31	1
31000031	3-3	102	1	31572004	3-17	32	1	31734013	3-21	01	1
31000032	3-35	06	1	31593001	3-37	29	1	31741013	3-37	40	1
31000033	3-35	07	1	31593007	3-9	33	1	31751004	3-21	07	1
				31593007	3-15	23	1	31766009	3-7	02	1
31100035								31772035	3-43	01	1
31100035	3-53	21*	1	31611010				31772035	3-45	01	1
31111009	3-9	30	1	31611010	3-23	10	1	31773013	3-31	06	2
31111009	3-15	17	1	31611064	3-25	27	1	31773015	3-9	15	1
31112002	3-23	47	2	31611064	3-29	27	1	31773015	3-15	02	1
31133018	3-11	13	1	31612045	3-25	23	3	31781006	3-17	27	1
31151001	3-9	27	1								

Released 06/2010

e-mail: service@amfreece.cz; parts@amfreece.cz; website: www.amfreece.com

Phone: +420 582 309 246; Fax: +420 582 360 606

INDEX

PART NUMBER	PAGE	DET	QTY	PART NUMBER	PAGE	DET	QTY	PART NUMBER	PAGE	DET	QTY
31815017				33182005				33182005			
31815017	3-37	26	1	33182005	3-9	23	1	33182005	3-9	23	1
31838013	3-17	40	2	33182005	3-15	21	1	33182005	3-15	21	1
31838014	3-17	83	2	33215069	3-9	17	1	33215069	3-9	17	1
31838030	3-7	07	3	33242002	3-11	24	1	33242002	3-11	24	1
31839020	3-35	18	1	33244009	3-23	09	1	33244009	3-23	09	1
31845002	3-17	04	1	33251105	3-37	10	1	33251105	3-37	10	1
31852010	3-3	90	1	33252029	3-25	15	1	33252029	3-25	15	1
31852010	3-55	32	1	33256011	3-11	38	1	33256011	3-11	38	1
31852015	3-31	13	1	33257001	3-23	01	1	33257001	3-23	01	1
31873011	3-35	17	1	33258075	3-25	17	1	33258075	3-25	17	1
31873013	3-11	36	1	33258076	3-41	03**	1	33258076	3-41	03**	1
31876011	3-11	39	1	33334012	3-23	31	1	33334012	3-23	31	1
31881004	3-31	04	1	33422001	3-11	37	1	33422001	3-11	37	1
31955003	3-37	16	1	33441002	3-15	15	1	33441002	3-15	15	1
31996006	3-9	18	1	33441003	3-9	28	1	33441003	3-9	28	1
32111012				34111085				34111085			
32111012	3-11	05	1	34111085	3-17	14	2	34111085	3-17	14	2
32115005	3-57	13	(1)	34125140	3-3	61	1	34125140	3-3	61	1
32115013	3-11	19	1	34221010	3-11	27	1	34221010	3-11	27	1
32121004	3-23	50	2	34264012	3-53	22*	1	34264012	3-53	22*	1
32215003				34264012	3-43	06	1	34264012	3-43	06	1
32215003	3-43	03	1	34268125	3-3	53	1	34268125	3-3	53	1
32215003	3-45	03	1	34372004	3-17	16	1	34372004	3-17	16	1
32216086	3-3	11	1	34372042	3-25	06	1	34372042	3-25	06	1
32217002	3-11	23	1	34372042	3-29	06	1	34372042	3-29	06	1
32221007	3-11	44	4	34378066	3-37	09	1	34378066	3-37	09	1
32223045	3-15	11	1	34416044	3-3	45	1	34416044	3-3	45	1
32225017	3-31	21	1	34458002	3-43	09	1	34458002	3-43	09	1
32233001	3-41	08	1	34458002	3-53	26*	1	34458002	3-53	26*	1
32241004	3-17	39	1	34585001	3-17	34	1	34585001	3-17	34	1
32428002	3-31	14	1	34647001	3-17	13	1	34647001	3-17	13	1
32434001	3-23	02	1	34658001	3-43	08	1	34658001	3-43	08	1
32533076	3-17	01	2	34658001	3-53	25*	1	34658001	3-53	25*	1
32542111	3-37	18	1	34732023	3-11	43	1	34732023	3-11	43	1
32631001	3-43	11	1	34732023	3-63	06	1	34732023	3-63	06	1
32643073	3-25	16	1	34758001	3-35	05	1	34758001	3-35	05	1
32652015	3-7	06	1	35111007				35111007			
32691001	3-25	05	2	35111007	3-35	01	1	35111007	3-35	01	1
32691001	3-29	05	2	35131002	3-9	24	1	35131002	3-9	24	1
32711019	3-3	06	2	35131002	3-15	09	1	35131002	3-15	09	1
32729001	3-11	41	1	35225010	3-31	35	1	35225010	3-31	35	1
32731026	3-11	10	1	35315013	3-3	04	1	35315013	3-3	04	1
32732001	3-11	42	1	35351180	3-3	13**	1**	35351180	3-3	13**	1**
32732021	3-43	17	1	35371003	3-3	03	1	35371003	3-3	03	1
32739004	3-31	11	1	35371004	3-17	47	1	35371004	3-17	47	1
32764006	3-43	16	1	35411121	3-41	07	1	35411121	3-41	07	1
32769003	3-35	08	1	35414016	3-43	07	1	35414016	3-43	07	1

Released 06/2010

e-mail: service@amfreece.cz; parts@amfreece.cz; website: www.amfreece.com

Phone: +420 582 309 286; Fax: +420 582 360 606

INDEX

PART NUMBER	PAGE	DET	QTY	PART NUMBER	PAGE	DET	QTY	PART NUMBER	PAGE	DET	QTY
35414016	3-53	23*	1	35414016	3-53	23*	1	36271013	3-11	04	1
35472011	3-3	20	1	35472011	3-3	20	1	36341035	3-37	21	1
35511021	3-9	08	1	35511021	3-9	08	1	36341050	3-17	36	1
35511021	3-15	16	1	35511021	3-15	16	1	36343061	3-31	32	2
35511040	3-37	34	1	35511040	3-37	34	1	36344057	3-31	28	1
35511045	3-25	01	1	35511045	3-25	01	1				
35511045	3-29	01	1	35511045	3-29	01	1	36513046			
35511048	3-9	08**	1**	35511048	3-9	08**	1**	36513046	3-21	05	1
35511048	3-15	16**	1**	35511048	3-15	16**	1**	36514046	3-21	09	1
35511079	3-43	10	1	35511079	3-43	10	1	36515013	3-21	10	1
35511080	3-43	02	1	35511080	3-43	02	1	36515020	3-31	29	1
35511080	3-45	02	1	35511080	3-45	02	1	36515032	3-7	17	1
35511081	3-9	08*	1*	35511081	3-9	08*	1*	36516014	3-21	06	1
35511081	3-15	16*	1*	35511081	3-15	16*	1*	36516040	3-7	10	1
35521048	3-9	13	1	35521048	3-9	13	1	36518027	3-25	03	1
35521048	3-15	03	1	35521048	3-15	03	1	36518027	3-29	03	1
35521049	3-15	06	1	35521049	3-15	06	1	36518029	3-17	35	1
35521055	3-11	11	1	35521055	3-11	11	1	36518030	3-9	21	1
35521118	3-37	32	1	35521118	3-37	32	1	36518030	3-15	07	1
35523018	3-31	08	1	35523018	3-31	08	1	36518077	3-11	06	1
35523026	3-3	65	1	35523026	3-3	65	1	36523021	3-15	25	1
35526005	3-25	04	1	35526005	3-25	04	1	36523022	3-9	26	1
35526005	3-29	04	1	35526005	3-29	04	1	36523022	3-15	13	1
35541070	3-17	48	1	35541070	3-17	48	1	36531010	3-9	05	1
35542007	3-25	09	1	35542007	3-25	09	1	36531010	3-15	20	1
35542007	3-29	09	1	35542007	3-29	09	1	36531018	3-43	14	1
35551002	3-23	03	1	35551002	3-23	03	1	36532021	3-9	03	1
35561001	3-17	09	1	35561001	3-17	09	1	36532021	3-15	28	1
35571021	3-11	35	1	35571021	3-11	35	1	36532022	3-9	04	1
35633040	3-17	22	1	35633040	3-17	22	1	36532022	3-15	29	1
35633041	3-17	30	1	35633041	3-17	30	1	36532025	3-23	24	1
35771051	3-11	45	1	35771051	3-11	45	1	36533015	3-35	16	1
35778014	3-17	17	1	35778014	3-17	17	1				
35812048	3-17	29	1	35812048	3-17	29	1	36541005			
35812049	3-7	01	1	35812049	3-7	01	1	36541005	3-11	40	2
35815007	3-25	24	1	35815007	3-25	24	1	36542017	3-17	15	1
35815007	3-29	24	1	35815007	3-29	24	1	36542018	3-25	02	1
								36542018	3-29	02	1
36221009				36221009				36543018	3-11	08	1
36221009	3-25	13	1	36221009	3-25	13	1	36543019	3-17	38	1
36221009	3-29	13	1	36221009	3-29	13	1	36543020	3-11	30	1
36223009	3-21	08	1	36223009	3-21	08	1	36543022	3-35	10	1
36224009	3-7	44	1	36224009	3-7	44	1	36546022	3-37	37	1
36224010	3-7	04	2	36224010	3-7	04	2	36546023	3-9	34	1
36226011	3-31	01	1	36226011	3-31	01	1	36546024	3-31	39	1
36226017	3-7	15	1	36226017	3-7	15	1				
36227019	3-11	03	1	36227019	3-11	03	1	36613034			
36228009	3-7	16	1	36228009	3-7	16	1	36613034	3-31	10	1
36228020	3-7	05	1	36228020	3-7	05	1	36613036	3-11	31	1
36271006	3-17	07	1	36271006	3-17	07	1	36613038	3-23	22	1

Released 06/2010

e-mail: service@amfreece.cz; parts@amfreece.cz; website: www.amfreece.com

Phone: +420 582 309 246; Fax: +420 582 360 606

INDEX

PART NUMBER	PAGE	DET	QTY	PART NUMBER	PAGE	DET	QTY	PART NUMBER	PAGE	DET	QTY
36615007	3-43	12	1	41831082	3-17	28	1	08.6000.6.018	3-57	03	(2)
36617003	3-57	14	(1)	42241009	3-37	38	1	08.6012.3.006	3-55	10	2
36619044	3-11	20	1	42531081	3-9	10	1	08.6012.4.010	3-57	24*	(4)*
36621001	3-11	25	2	42531081	3-15	01	1	08.6032.5.010	3-47	17	2
36631031	3-9	16	1	49910018	3-53	06	1	08.6100.4.008	3-47	25	4
36647001	3-23	27	1	49910019	3-53	19	1	08.6100.4.014	3-47	12	8
36651001	3-11	02	1					08.6100.4.014	3-57	26*	(8)*
36651002	3-11	07	1	00.2751.3.602				08.6132.4.010	3-59	05	4
36651008	3-17	06	1	00.2751.3.602	3-47	23	1	08.6200.3.008	3-55	17	4
36653010	3-17	31	1	01.2548.0.000	3-21	18	1	08.6400.4.005	3-25	61	1
36661001	3-23	04	1	01.7305.0.900	3-23	59	(2)	08.6400.4.005	3-29	61	
36667012	3-31	26	1	01.7435.1.000	3-31	68	2	08.6400.4.005	3-37	04	1
36672047	3-11	26	1					08.6400.4.006	3-7	46	1
36673028	3-23	26	1	03.0018.0.000				08.6400.4.008	3-7	43	1
36674012	3-35	14	1	03.0018.0.000	3-53	05	1	08.6400.4.008	3-31	86	3
36677016	3-25	19	1	03.5570.0.011	3-57	01	1	08.6700.4.000	3-47	10	8
36678019	3-31	30	1	03.5570.0.013	3-59	01	1	08.6702.4.000	3-55	09	4
36691014	3-9	12	1	03.5570.0.014	3-57	17*	1*	08.6702.4.000	3-55	30	2
36691014	3-15	04	1	03.5570.0.017	3-41	22*	1	08.6702.4.000	3-59	04	4
36691021	3-25	21	1	04.1956.1.000	3-57	10	(1)	08.6702.5.000	3-47	16	2
36691022	3-31	20	1	05.0090.1.000	3-53	17	1	08.6702.8.000	3-47	15	4
36691024	3-37	05	1	05.1322.0.000	3-53	15	1	08.6710.6.000	3-55	23	2
								08.6800.4.000	3-47	11	8
36713007				06.0120.0.000				08.6802.4.000	3-25	63	1
36713007	3-7	11	1	06.0120.0.000	3-57	07	(1)	08.6802.4.000	3-29	63	
36741109	3-41	01	(1)	06.7000.0.003	3-51	14	1	08.6802.4.000	3-55	08	4
36771021	3-9	06	1	06.7000.0.004	3-51	16	1	08.6852.4.000	3-25	64	1
36771021	3-15	19	1	06.7000.0.005	3-49	13	1	08.6852.4.000	3-29	64	
36771079	3-31	34	1	06.7000.0.010	3-51	04	1	08.6852.4.000	3-55	07	2
36773007	3-11	82	1					08.6852.4.000	3-59	03	4
36773008	3-11	61	1	07.6440.0.014				08.6852.5.000	3-47	18	2
				07.6440.0.014	3-57	05	(2)	08.6852.6.000	3-31	16	1
37112030				07.6440.0.050	3-17	25	1				
37112030	3-17	46	(2)	07.6760.0.000	3-57	04	(2)	12.0008.3.244			
37211018	3-17	37	1					12.0008.3.244	3-29	30	1
37211045	3-37	30	1	08.6000.0.025				12.0008.4.050	3-49	10	1
37211131	3-25	26	1	08.6000.0.025	3-3	28	4	12.0008.4.058	3-59	08	8
37211131	3-29	26	1	08.6000.3.008	3-55	03	2	12.0008.4.064	3-49	05	1
37211133	3-41	09	1	08.6000.3.012	3-63	08	1	12.0008.4.072	3-59	09	8
37213001	3-9	19	1	08.6000.3.016	3-57	08	(6)	12.0008.4.204	3-57	23*	(2)*
37213001	3-53	14	10	08.6000.3.025	3-55	26	2	12.0008.4.207	3-47	01	2
37231028	3-37	20	1	08.6000.4.008	3-3	79	4	12.0008.4.215	3-47	26	2
37711017	3-3	05	1	08.6000.4.010	3-25	62	1	12.0008.4.216	3-47	27	2
37771022	3-41	02	(1)	08.6000.4.010	3-29	62		12.0008.4.231	3-47	09	2
37771023	3-53	16	1	08.6000.4.010	3-31	94	4	12.0008.4.231	3-57	22*	(2)*
				08.6000.4.012	3-9	51	2	12.0008.4.240	3-57	21*	(1)*
41214006				08.6000.4.015	3-55	06	4	12.0008.4.280	3-55	15	1
41214006	3-3	18	2	08.6000.4.016	3-59	02	4	12.0008.4.366	3-47	06	1
41321019	3-3	02	1	08.6000.4.025	3-55	33	4	12.0008.4.378	3-47	22	1
41441060	3-3	12	1	08.6000.5.012	3-57	15	(2)	12.0008.4.403	3-51	17	1

Released 06/2010

e-mail: service@amfreece.cz; parts@amfreece.cz; website: www.amfreece.com

Phone: +420 582 309 286; Fax: +420 582 360 606

INDEX

PART NUMBER	PAGE	DET	QTY	PART NUMBER	PAGE	DET	QTY	PART NUMBER	PAGE	DET	QTY
12.0008.4.403	3-55	34	1	12.3010.0.013	3-55	14	1	70.3284.4.101	3-55	13	1
12.0008.4.472	3-47	13	2	12.3010.0.014	3-9	55	1	70.3286.4.501	3-55	25	1
12.0008.4.488	3-49	16	1	12.3011.0.006	3-37	39	1	70.3288.2.101	3-55	02	2
12.0008.4.590	3-51	09	1	12.3013.0.005	3-63	09	1	70.3288.2.102	3-55	16	1
12.0008.4.591	3-51	12	1	12.8000.0.112	3-51	19	1	70.3288.2.103	3-55	18	1
12.0008.4.592	3-51	13	1	12.8000.0.144	3-59	10	1	70.3288.2.104	3-55	27	1
12.0008.4.596	3-17	95	1	12.8000.1.010	3-3	74	1	70.3288.2.401	3-55	04	1
12.0008.4.664	3-49	04	2					70.3288.3.601	3-55	05	1
12.0008.4.665	3-49	03	1	17.0004.7.253				70.3288.3.602	3-55	28	1
12.0008.4.679	3-51	20	1	17.0004.7.253	3-17	86	(1)	70.3288.3.604	3-17	92	1
12.0008.4.679	3-55	35	(1)	17.0011.2.013	3-7	42	2	70.3288.3.605	3-17	91	1
12.0008.4.709	3-49	09	1	17.0011.2.013	3-7	47	(2)				
12.0008.4.710	3-47	02	6	17.0017.2.041	3-63	07	1	70.3324.2.003			
12.0008.4.720	3-49	15	1	17.0031.3.277	3-55	19	1	70.3324.2.003	3-11	24*	1
12.0008.4.721	3-49	15	1	17.0083.9.031	3-55	21	1	70.3325.1.107	3-3	16	1
12.0008.4.722	3-49	15	1	17.0095.3.042	3-55	20	1	70.3325.8.077	3-41	03	
12.0008.4.723	3-49	15	1					70.3325.8.077	3-41	18	2
12.0008.4.751	3-49	11	1	19.0011.1.400				70.3325.8.091	3-63	01	1
12.0008.4.757	3-51	05	1	19.0011.1.400	3-55	12	1	70.3325.8.092	3-63	02	1
12.0008.4.783	3-47	07	1	19.0044.1.624	3-7	41	2	70.3325.8.093	3-63	05	1
12.0008.4.795	3-47	08	1	19.0044.1.629	3-7	48	2	70.3325.8.094	3-63	03	1
12.0008.4.835	3-51	06	1	23.2044.0.050	3-55	01	1	70.3325.8.095	3-63	04	1
12.0008.4.836	3-51	07	1	39.0013.3.000	3-63	10	1	70.3441.6.045	3-17	87	1
12.0008.4.837	3-51	08	1	39.0087.0.000	3-55	11	1	70.3441.6.046	3-17	88	1
12.0008.4.839	3-51	10	1					70.3462.7.067	3-31	33	1
12.0008.4.842	3-51	11	1	70.2691.1.188				70.3474.3.093	3-41	24	1
12.0008.4.862	3-55	29	3	70.2691.1.188	3-11	49	1	70.3474.3.094	3-41	25	1
12.0008.4.862	3-57	18*	(2)*	70.3100.0.020	3-31	45	1	70.3532.8.073	3-57	25*	(1)*
12.0008.4.885	3-51	18	1	70.3100.0.040	3-31	93	1	70.3532.8.074	3-3	01	1
				70.3100.0.042	3-3	66	1	70.3532.8.076	3-57	09	(1)
12.0008.6.118				70.3100.0.043	3-31	46	1	70.3532.8.077	3-57	12	(1)
12.0008.6.118	3-53	04	1	70.3110.0.038	3-45	05	1	70.3532.8.078	3-59	06	1
12.0008.6.119	3-53	03	1	70.3121.1.016	3-37	47	1	70.3535.1.181	3-3	13*	1*
12.0008.6.517	3-3	69	4	70.3126.8.002	3-37	03	1	70.3535.1.182	3-3	19	1
12.0008.6.520	3-3	25	4	70.3142.3.070	3-31	18	1	70.3541.1.112	3-41	05**	1
12.0008.6.521	3-3	24B	4	70.3149.1.001	3-37	24	1	70.3542.1.065	3-41	04	1
12.0008.6.523	3-3	24A	4	70.3162.5.003	3-3	58	1	70.3552.8.075	3-57	06	(1)
12.0008.6.968	3-53	09	2	70.3165.1.019	3-37	11		70.3577.7.042	3-17	08	1
12.0008.6.975	3-53	07	1	70.3165.2.002	3-3	70	1	70.3577.7.043	3-3	76	1
12.0008.6.979	3-9	53	1	70.3165.2.002	3-7	40	1	70.3577.7.044	3-3	77	1
12.0008.6.xxx	3-53	18	1	70.3165.2.003	3-7	45	1	70.3651.3.048	3-7	09	1
				70.3172.1.024	3-11	14	1	70.3651.8.020	3-25	08	1
12.0010.4.025								70.3651.8.020	3-29	08	1
12.0010.4.025	3-51	03	4	70.3265.2.016				70.3651.8.021	3-25	60	1
12.0010.4.093	3-51	15	1	70.3265.2.016	3-3	67	1	70.3651.8.021	3-29	60	1
12.0010.4.113	3-51		1	70.3273.2.023	3-53	20*	1	70.3651.8.022	3-25	07	1
12.0010.4.161	3-49	20	1	70.3276.4.008	3-45	08	1	70.3651.8.022	3-29	07	1
12.0010.4.195	3-49	19	1	70.3276.4.009	3-45	07	1	70.3652.3.023	3-9	31	1
12.0010.6.200	3-41	23	4	70.3282.7.100	3-23	43		70.3652.3.025	3-9	54	1
12.1016.0.001	3-3	75	2	70.3283.2.601	3-55	24	1	70.3652.3.026	3-9	52	1

Released 06/2010

e-mail: service@amfreece.cz; parts@amfreece.cz; website: www.amfreece.com

Phone: +420 582 309 246; Fax: +420 582 360 606

INDEX

PART NUMBER	PAGE	DET	QTY	PART NUMBER	PAGE	DET	QTY	PART NUMBER	PAGE	DET	QTY
70.3657.2.009	3-17	41	1								
70.3661.1.037	3-43	18	1								
70.3661.1.041	3-45	09	1								
70.3661.1.042	3-43	15	1								
70.3661.1.043	3-45	06*	1								
70.3661.1.045	3-45	06	1								
70.3661.3.100	3-37	08	1								
70.3662.5.002	3-37	25	1								
70.3664.5.006	3-23	49	1								
70.3664.5.007	3-23	48	1								
70.3669.1.008	3-17	21	1								
70.3676.1.032	3-37	07	1								
70.3721.1.153	3-23	11	1								
70.3727.4.013	3-17	23	1								
70.4165.1.097											
70.4165.1.097	3-47	14	1								
70.4165.1.105	3-51	02	1								
70.4165.1.112	3-59	07	1								
70.4165.1.114	3-57	02	(1)								
70.4165.1.115	3-57	19*	(1)*								
70.4165.1.116	3-57	20*	(1)*								
70.4165.1.124	3-47	24	1								
70.4165.1.125	3-47	19	1								
70.4165.1.126	3-47	28	1								
70.4165.1.129	3-55	22	1								
70.4223.3.029	3-11	01	1								
70.4253.1.078	3-9	10*	1*								
70.4253.1.078	3-15	01*	1*								
70.4253.1.079	3-9	10**	1**								
70.4253.1.079	3-15	01**	1**								
70.8001.1.001	3-49	14	1								
70.8001.1.002	3-49	12	1								
70.8001.1.003	3-51	01	1								

Released 06/2010

e-mail: service@amfreece.cz; parts@amfreece.cz; website: www.amfreece.com

Phone: +420 582 309 286; Fax: +420 582 360 606